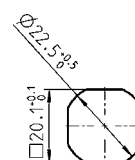
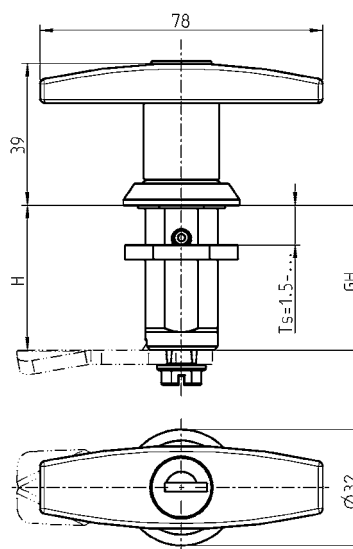
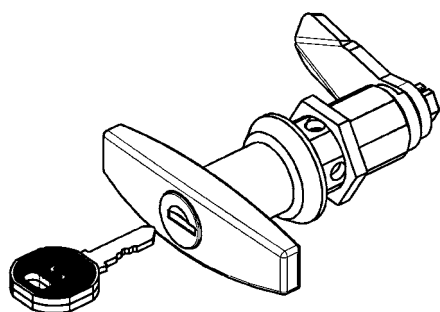


T-Handle

PROGRAM 1000



Cut out

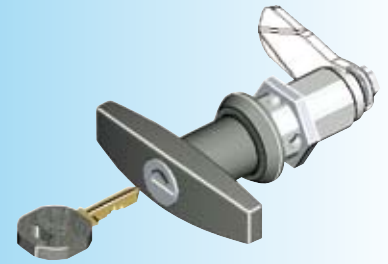
Each cylinder has one silver steel key with polyamide GF grip black, screw and nut m.s. zinc plated. Key removable in both positions.

T-Handle, suitable for KABA-cylinder type 1036 for standard locking or master key system on request.

T-Handle		Handle and housing zinc die chrome plated, nut, earthnut and screw m.s. zinc plated, with seal cylinder zinc die with stainless steel cap and shutter		
IP 65		non locking	keyed EK 333	Keyed different
GH 18 mm	Ts 1.5 up to 8 mm			
	with nut	1000-U9	1000-U10	1000-U11
	with earthnut	1000-U60	1000-U61	1000-U62
30 mm	20 mm			
	with nut	1000-U116	1000-U118	1000-U120
	with earthnut	1000-U117	1000-U119	1000-U121
40 mm	30 mm			
	with nut	1000-U122	1000-U124	1000-U126
	with earthnut	1000-U123	1000-U125	1000-U127
50 mm	40 mm			
	with nut	1000-U128	1000-U130	1000-U132
	with earthnut	1000-U129	1000-U131	1000-U133
60 mm	50 mm			
	with nut	1000-U594	1000-U596	1000-U598
	with earthnut	1000-U595	1000-U597	1000-U599



T-Handle IP 65		Handle and housing zinc die black powder coated, nut, earthnut and screw m.s. zinc plated, with seal, cylinder zinc die with stainless steel cap and shutter		
GH 18 mm	Ts 1,5 - 8 mm	non locking	keyed EK 333	keyed different
with nut		1000-U337	1000-U338	1000-U339
with earthnut		1000-U340	1000-U341	1000-U342
30 mm	20 mm			
with nut		1000-U372	1000-U374	1000-U376
with earthnut		1000-U373	1000-U375	1000-U377
40 mm	30 mm			
with nut		1000-U378	1000-U380	1000-U382
with earthnut		1000-U379	1000-U381	1000-U383
50 mm	40 mm			
with nut		1000-U384	1000-U386	1000-U388
with earthnut		1000-U385	1000-U387	1000-U389
60 mm	50 mm			
with nut		1000-U600	1000-U602	1000-U604
with earthnut		1000-U601	1000-U603	1000-U605



T-Handle IP 65		Handle, housing, nut and screw AISI 316, with seal		
GH 18 mm	Ts 1,5 - 8 mm	non locking	keyed EK 333	keyed different
with nut		1000-U664	1000-U10-PH	1000-U11-PH

T-Handle IP 65		Handle polyamide black Housing zinc die black powder coated, nut, earthnut and screw m.s. zinc plated, with seal Cylinder zinc die with stainless steel cap and shutter		
GH 18 mm	Ts 1,5 - 8 mm	non locking	keyed EK 333	keyed different
with nut		1000-U546	1000-U548	1000-U550
with earthnut		1000-U547	1000-U549	1000-U551
30 mm	20 mm			
with nut		1000-U552	1000-U554	1000-U556
with earthnut		1000-U553	1000-U555	1000-U557
40 mm	30 mm			
with nut		1000-U558	1000-U560	1000-U562
with earthnut		1000-U559	1000-U561	1000-U563
50 mm	40 mm			
with nut		1000-U564	1000-U566	1000-U568
with earthnut		1000-U565	1000-U567	1000-U569
60 mm	50 mm			
with nut		1000-U606	1000-U608	1000-U610
with earthnut		1000-U607	1000-U609	1000-U611

Further parts see page

- cam with catch up to 1C-120
- Accessories from 1C-180
- Escutcheon 3B-140
- Spare key 12B-140