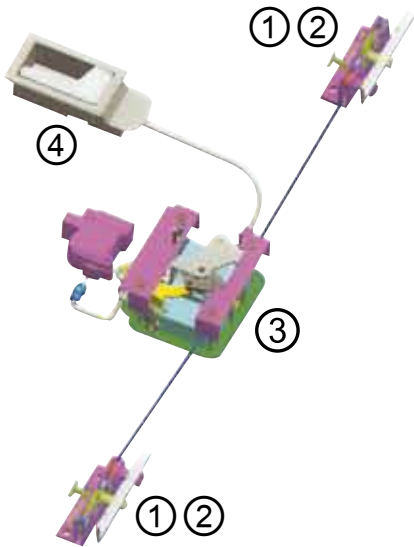


System image



Door locking system

Technology

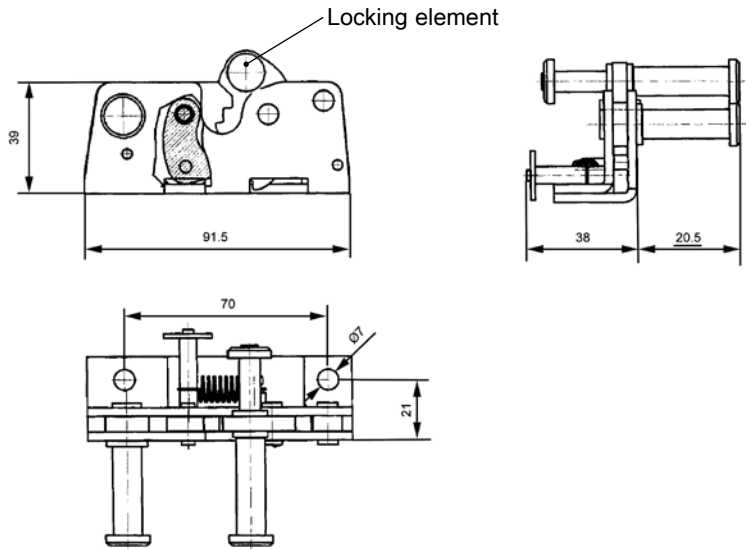
- M1 tested locking system, according to EU specification 70/387
- two rotary latch locks to be positioned freely, hence double security
- Automotive interior door release, zinc die chrome plated, can be positioned freely
- Burglar-proof by exterior handle with freewheel clutch
- Exterior handle designed for clip-in cylinder
- Emergency opening from the interior

Handling

- ergonomically designed actuators
- specially smooth-running operation
- small closing force, hence very quiet
- with central locking, convenient and secure

Versions

- colours as per request
- also available as M1 tested locking system with rotary latch lock
- Interior door release with galvanized surface in alu-look
- designed for clip-in cylinder, compatible with clip-in cylinder system 3
- optionally without central locking



On request:

– Round rod Ø4 available

Further parts see page

– Exterior handle 1.1-125
– Inside handle 1.1-125

Rotary latch lock m.s. zinc plated; with spring

right, as drawn	2004-B8036
left, mirror image	2004-B8031

Strike plate St zinc plated

right, as shown	2004-B8034
left, mirror image	2004-B8027