

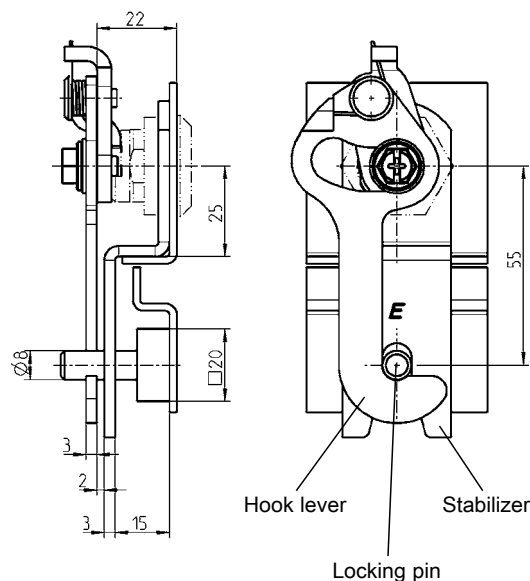
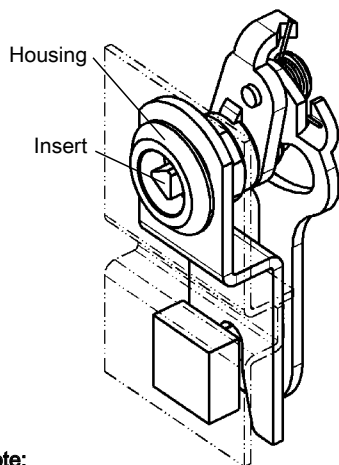
# Hook lever lock, slam cam

## PROGRAM 1000

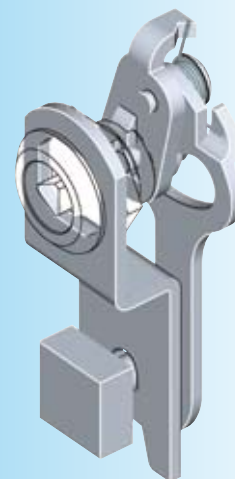
Hook lever lock  
with 90° locking stroke, turn and pull movement to the cam

Note: drawings and dimensions relate to quarter turns  
with GH = 18 !

Hook stroke 5 mm



Note:  
When using quarter turns with GH-  
dimension >18 the length of  
the screw has to be checked



Further parts see page  
– Quarter turns

- 1B-120
- 1B-140
- 1B-330
- up to 1B-335
- 1B-520
- up to 1B-720
- 1B-835
- up to 1B-860

### Hook lever lock m.s. zinc plated:

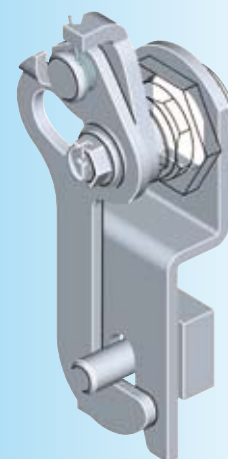
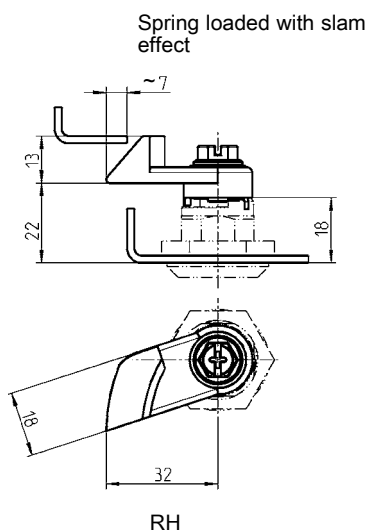
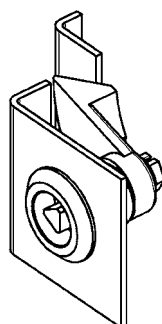
Hook lever	1000-U12
Locking pin	1000-49
Stabilizer	1000-48



Note:  
Slam cam is designed for quarter turn with GH = 18!  
Other dimensions GH on request.

The wave washer (delivered with  
the insert) has to be replaced by the  
enclosed spacer.

With the following slam cams IP 54 up  
to IP 69K is not possible!  
Article-no:  
1000-U235-N  
1000-U235-NPH  
1000-U236-N  
1000-U236-NPH



### Slam cam zinc die chrome plated, spacer, screw m.s. zinc plated

for quarter turn see catalogue page	RH	LH
1B-120, 1B-140, 1B-360, 1B-830, 1B-835, 1B-860	1000-U235-N	1000-U236-N
1B-420 up to 1B-680	1000-U315-N	1000-U316-N

### Slam cam AISI 316, spacer, screw stainless steel

1B-120, 1B-140, 1B-360, 1B-830, 1B-835, 1B-860	1000-U235-NPH	1000-U236-NPH
--	---------------	---------------

