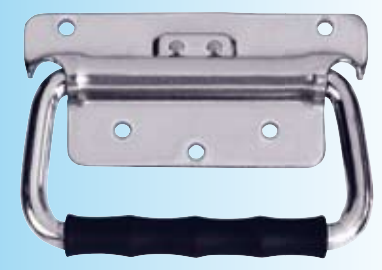
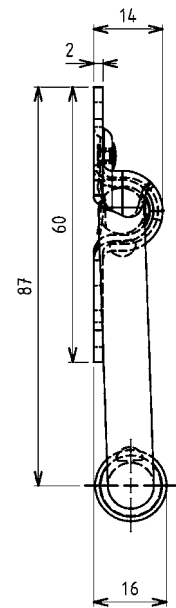
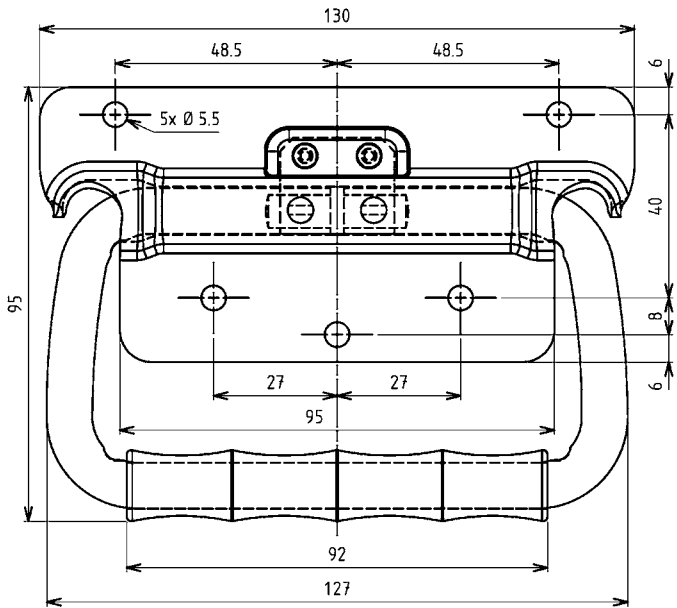


# Chest handles

## PROGRAM 6040

**INOX**  
AISI  
3..

EDELSTAHL  
**Rost frei**  
STAINLESS STEEL



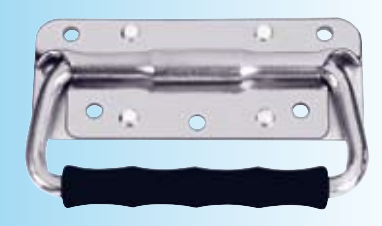
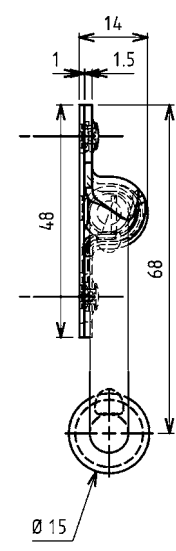
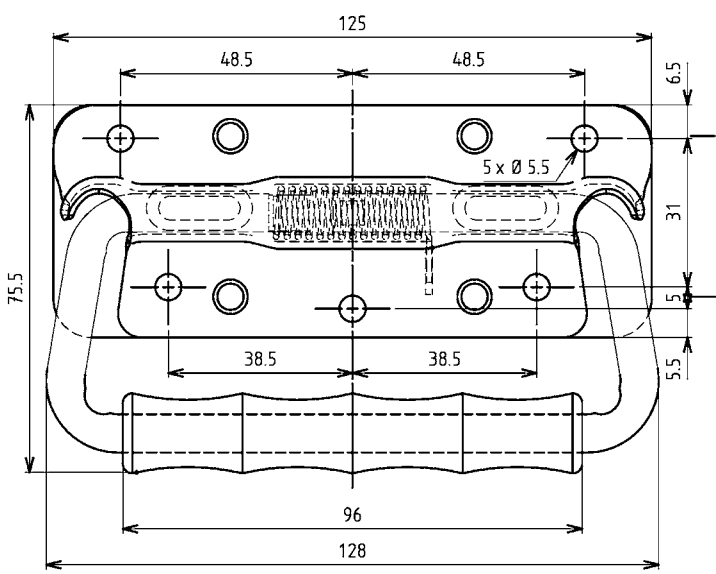
### Chest handle

|  | without leaf spring | with leaf spring |
|--|---------------------|------------------|
| Zinc plated steel DS plus Top Coat with mounting holes | 6040-U24-JQ         | 6040-U23-JQ      |
| AISI 304 with mounting holes                           | 6040-U24-PC         | 6040-U23-PC      |

Further parts see page  
– Counter plate 6B-320

pictured with piano wire torsion spring and counter plate

EDELSTAHL  
**Rost frei**  
STAINLESS STEEL



### Chest handle

|  | without piano wire torsion spring and counter plate | with piano wire torsion spring |
|--|---|--------------------------------|
| Zinc plated steel DS plus Top Coat with mounting holes | 6040-U34-JQ   | 6040-U33-JQ                    |
| AISI 304 with mounting holes                           | 6040-U34-PC   | 6040-U33-PC                    |

Further parts see page  
– Back plate 6B-320