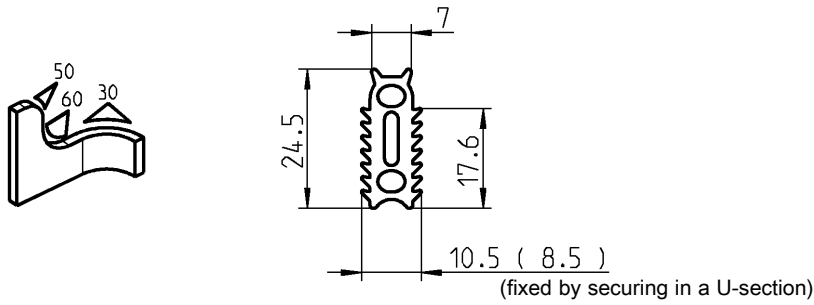
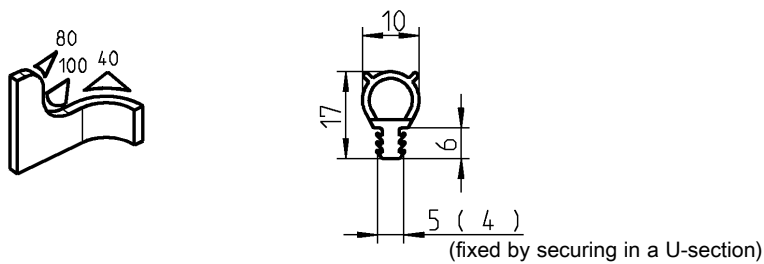


# Gaskets made of fire protection compount EPDM PROGRAM 1003, 1011, 1038, 1101



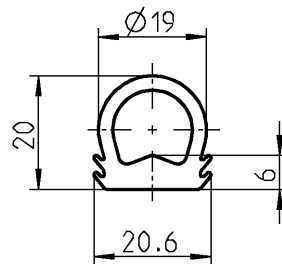
Gasket made of fire protection compount sponge-rubber (EPDM) black  
(clamping profile EPDM 25° ± 5 Shore A)

① 1003-15-FR01



Gasket made of fire protection compount sponge-rubber (EPDM) black  
(clamping profile EPDM 60° ± 5 Shore A)

① 1101-03-FR01



Gasket made of fire protection compount EPDM 30° ± 5 Shore A black

① 1038-S52-FR01

## Fire protection standards



|   |                   |
|---|-------------------|
| ① | DIN EN 45545-2    |
| ② | NF F 16-101/ -102 |
| ③ | DIN 5510-2        |
| ④ | UNI CEI 11170     |
| ⑤ | ASTM C1166        |
| ⑥ | ASTM E662         |
| ⑦ | SMP 800-C         |
| ⑧ | BSS 7239          |