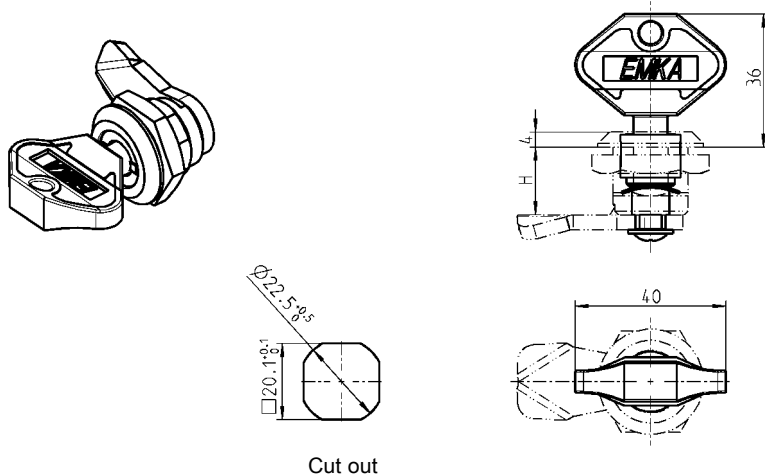


# Clip-in key, wing knob for insert

## PROGRAM 1000

### Clip-in key

Key can be used as handle



Cut out

The key clips into the insert with its clip-in arms and is captivated. The key cannot be removed without destruction unless lock is disassembled.

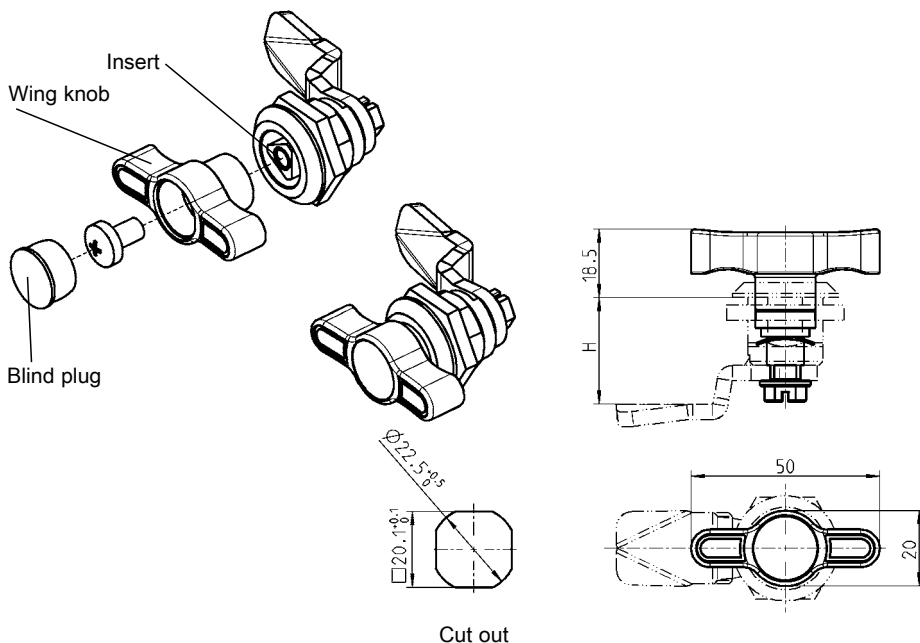
### Insert Polyamide black; spring washer and self-cutting screw m.s. zinc plated

Double bit 3	1000-U745	Double bit 5	1000-U744
--------------	-----------	--------------	-----------

### Key polyamide black

Key nat.rail. 3	1004-34-01	Key nat.rail. 5	1004-33-01
-----------------	------------	-----------------	------------

### Wing knob for insert



Cut out

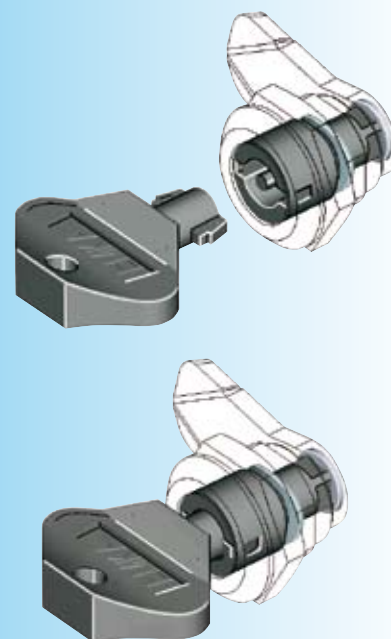
### Wing knob polyamide GF black; blind plug PE black; Fixing material m.s. zinc plated

for square 8	1000-U764	for triangular 10	1000-U762
--------------	-----------	-------------------	-----------

### Insert with M6 female thread zinc die zinc plated

Square 8	1000-U765	Triangular 10	1000-U763
----------	-----------	---------------	-----------

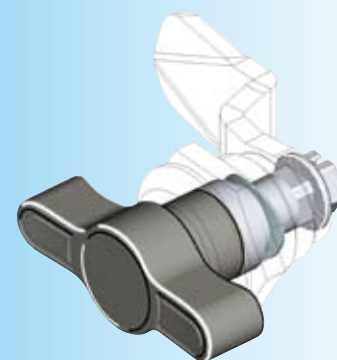
# RL



Key can be used as handle

### Further parts see page

– Housing and cam 1B-160



### Note:

Quarter turn assembly 1B-105

### Further parts see page

– Housing 1B-140  
1B-160  
– cam with catch 1C-120  
up to 1C-180  
– Accessories from 1C-340