

125° hinge with captive pin

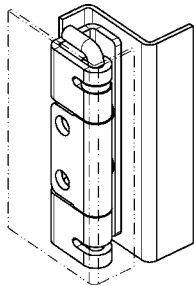
PROGRAM 1031



125° hinge for single cabinets
for 25 mm door return

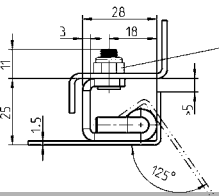
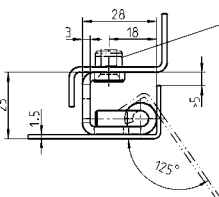
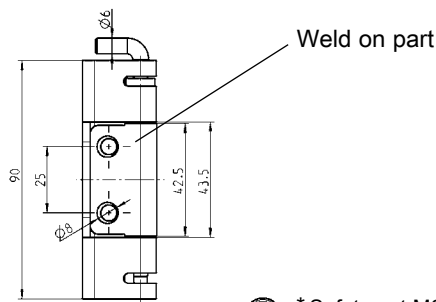


STAINLESS STEEL



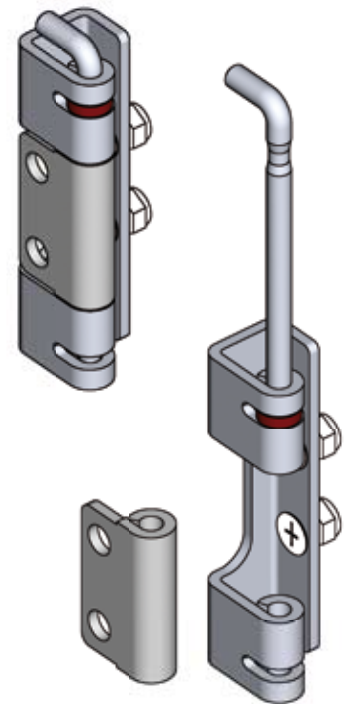
Hinge for countersunk screw
M6

Hinge with press-fit threaded
studs M6



- * Safety nut M6
- * Countersunk screw small head M6x...

- * Safety nut M6



125° hinge
hinge frame part, pin and threaded studs m.s. zinc-plated; door part m.s. raw; pin clamping ring
POM red

* not included

for countersunk small head M6

1031-U12

with press-fit threaded studs M6x15

1031-U19

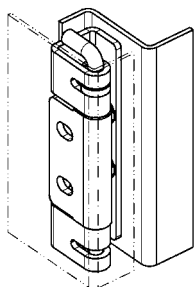
small head = DIN ISO 2009,
2010, 7046-1, 7046-2, 7047



125° hinge for single cabinets
for 25 mm door return

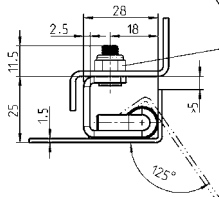
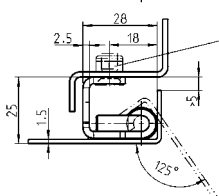
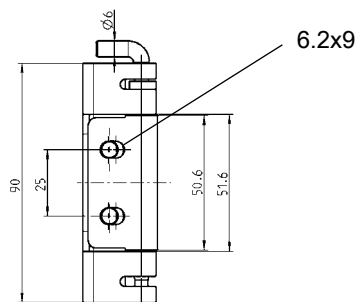


STAINLESS STEEL



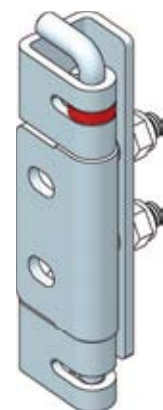
Hinge for countersunk screw
M6

Hinge with press-fit threaded
studs M6



- * Safety nut M6
- * Countersunk screw small head M6x...

- * Safety nut M6



125° hinge AISI 304 or AISI 316Ti; threaded studs stainless steel; pin clamping ring POM red

* not included

AISI 304

for countersunk small head M6

1031-U13

AISI 316Ti

for countersunk small head M6

1031-U22

AISI 304

with press-fit threaded studs M6x15

1031-U20

small head = DIN ISO 2009,
2010, 7046-1, 7046-2, 7047