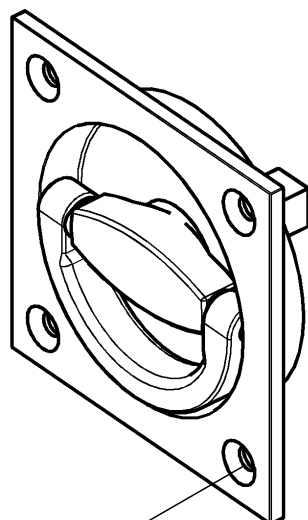
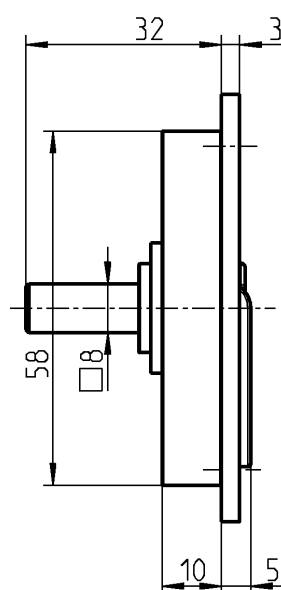
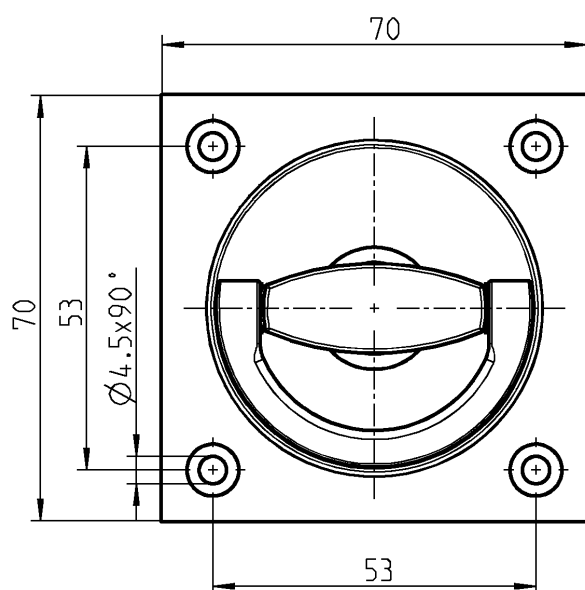


# Ring-handle

PROGRAM WELD ON



For countersunk  
small head M4  
DIN ISO 2009,  
2010, 7046-1,  
7046-2, 7047



Ring-handle zinc die silver powder coated

1098-U1