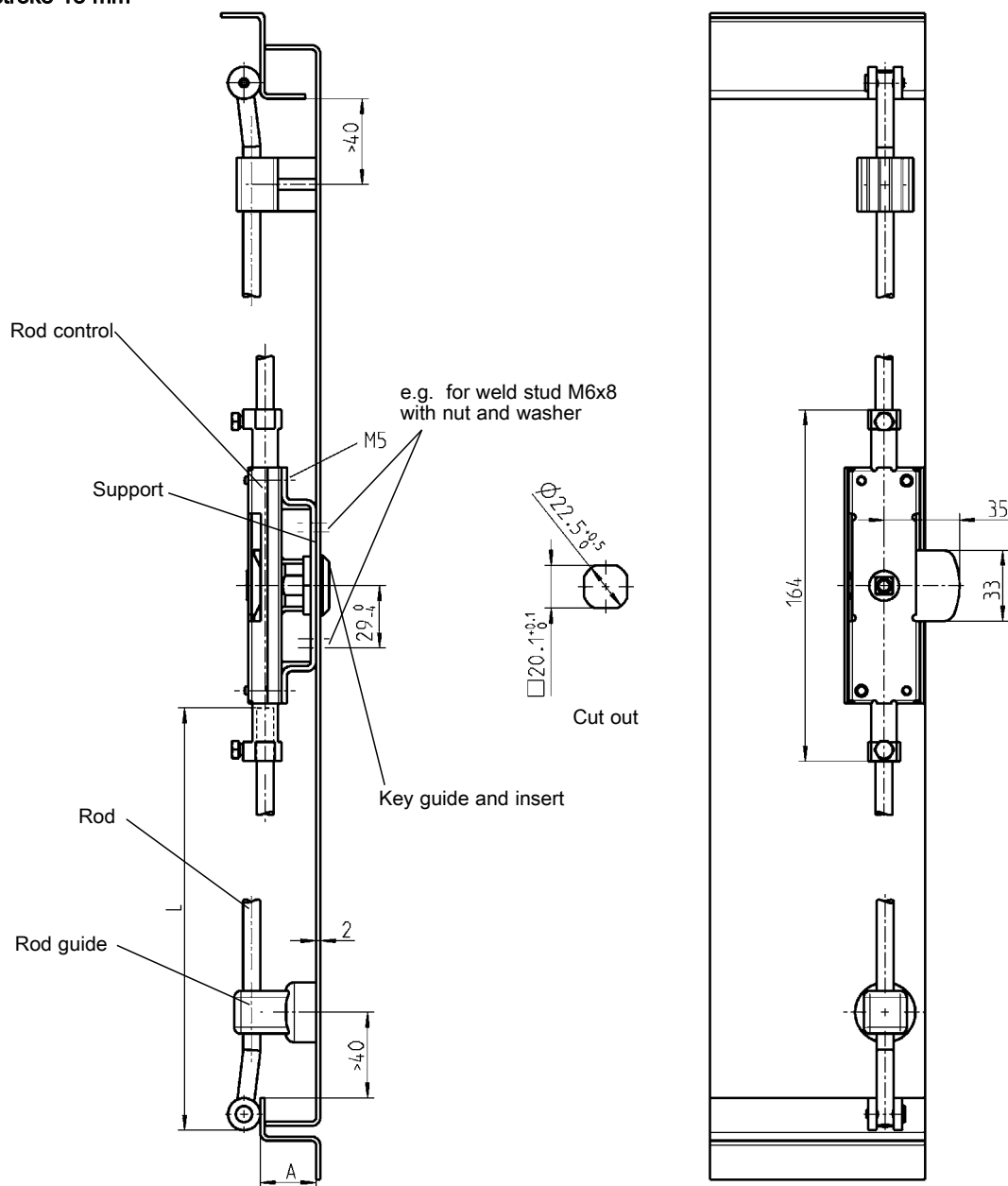


## 3 point latches and inserts

## PROGRAM SCREW ON

Stroke 13 mm  
or stroke 18 mm



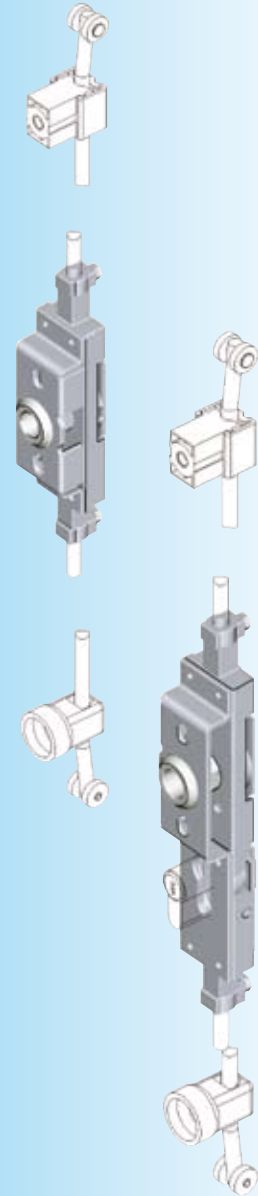
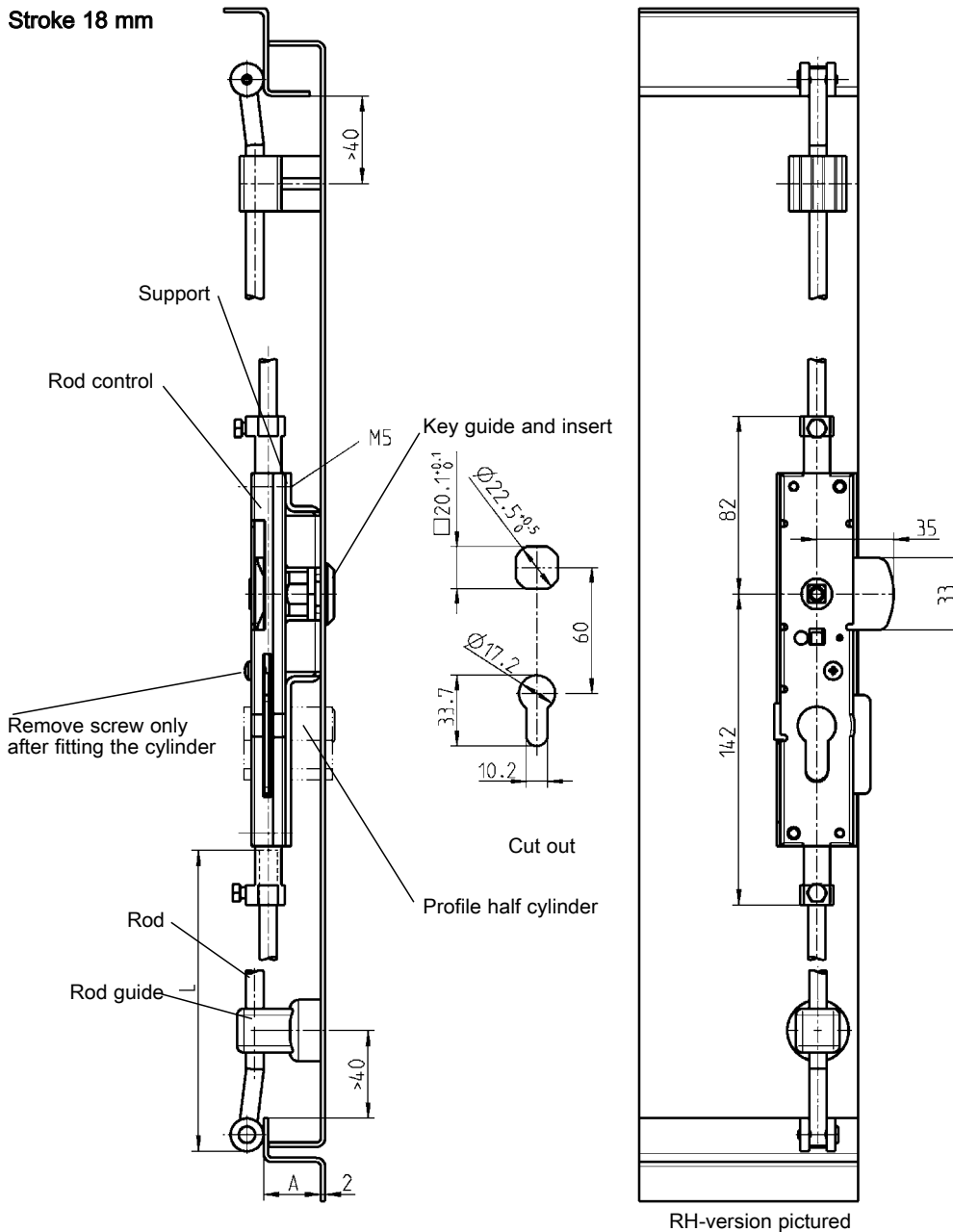
RH-version pictured

Dimensions of latches and  
other versions see catalogue  
pages 2B-120 to 2B-140

Latch m.s. zinc plated			Latch m.s. zinc pl. for profile cylinder		
	Stroke 13	Stroke 18			Stroke 18
RH	1049-U1	1049-U19	RH	-	1068-U1
LH	1049-U2	1049-U20	LH	-	1068-U2
Support m.s. zinc plated			Support m.s. zinc plated		
	A20	A26		A20	A26
RH/LH	1001-47	1001-50	RH	1001-45	1001-48
			LH	1001-46	1001-49



Stroke 18 mm



Key guide zinc die chrome pl. or black powder coated with nut m.s. zinc pl.			Insert zinc die chrome pl.	
chrome plated	A20	A26	Square 6	1000-59
for square and triangular	1001-U13	1001-U14	Square 7	1000-04
for double bit	1001-U15	1001-U16	Square 8	1000-05
for Daimler Benz	1001-U17	1001-U18	Triangular 7	1000-06
for FIAT	1001-U32	-	Triangular 8	1000-07
black powder coated			Double bit 3	1000-08
for square and triangular	1001-U24	1001-U25	Double bit 5	1000-09
for double bit	1001-U26	1001-U27	Daimler Benz	1000-64
for Daimler Benz	1001-U28	1001-U29	FIAT	1000-352
for FIAT	1001-U33	-	<b>IP 65 with:</b>	
			Flat seal	1000-23
			O-ring	1000-24

**Further parts see page**

- T-Handle 2A-140
- L-Handle 2A-140
- Rod 1C-620
- Profile half cylinder 2B-220
- Key 12B-120
- Escutcheon 12D-120
- Adapter system for insulated doors 2A-180