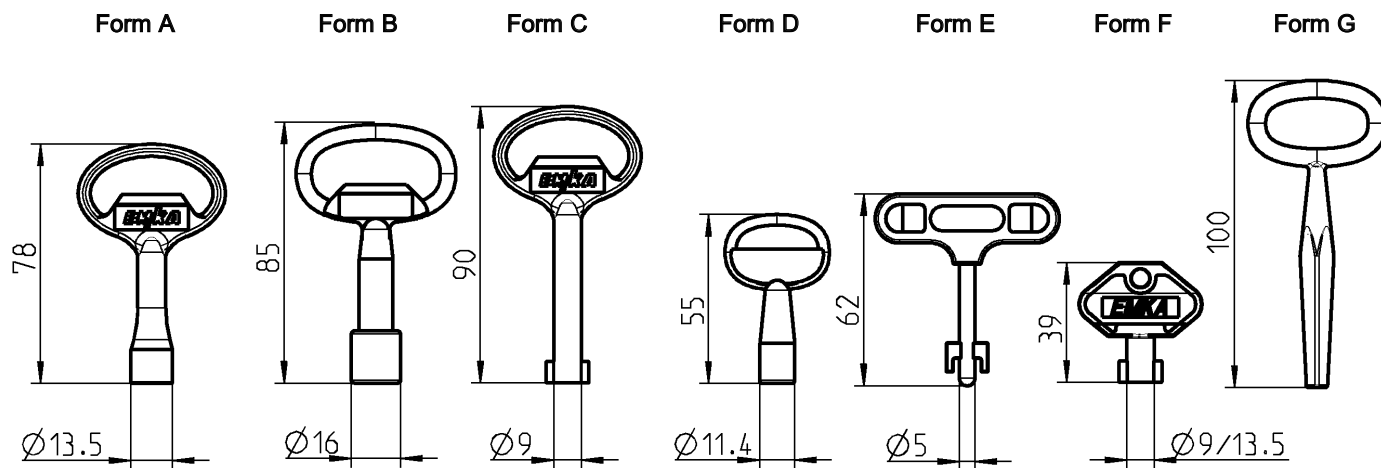


Key

PROGRAM 1004



Keys can be supplied on request with customer logo

Minimum quantity: Form A, B, C, D

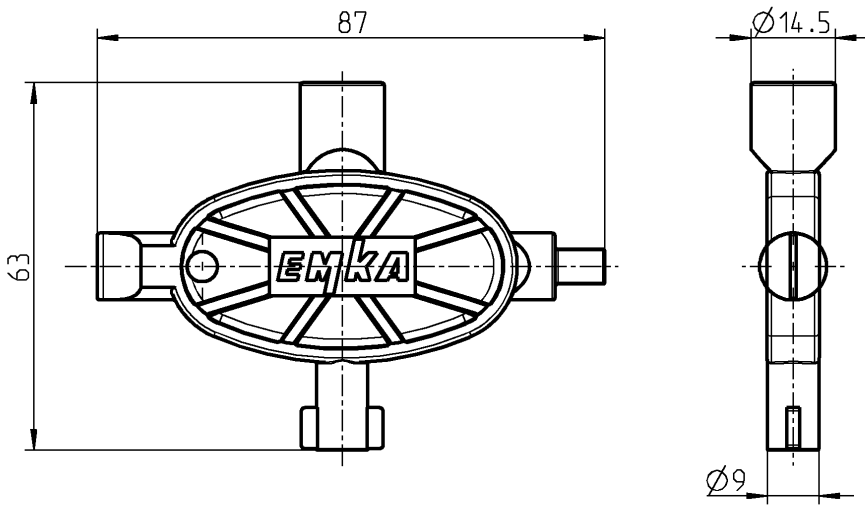
2,000 pieces

Minimum quantity: Form E, F, H

5,000 pieces

Key-Form	A	B	C	D	E	F	G
	Zinc die black	Zinc die black	Zinc die black	Zinc die black	Zinc die/ polyamide black	Polyamide black	GTW nickel plated
Square 6	1004-18	-	-	1004-20	-	1004-37	-
Square 7	1004-01	-	-	-	-	1004-36	-
Square 8	1004-02	-	-	-	-	1004-35	-
Triangular 6,5	-	-	-	1004-21	-	-	-
Triangular 6.5 CNOMO	1004-26	-	-	-	-	-	-
Triangular 7	1004-03	-	-	-	-	1004-39	-
Triangular 8	1004-04	-	-	-	-	1004-38	-
Triangular 10	-	1004-24	-	-	-	-	-
Crown type	-	1004-31	-	-	-	-	-
Eastern Europe Ø13 half round	-	1004-42	-	-	-	-	-
Double bit 3	-	-	1004-05	-	-	1004-34	-
Double bit 5	-	-	1004-06	-	-	1004-33	-
Male hexagon 11.1	-	1004-54	-	-	-	-	-
Daimler Benz	1004-17	-	-	-	-	-	-
FIAT	-	-	-	-	1004-41	-	-
Square male 6	1004-29	-	-	-	-	-	-
Square male 8	1004-30	-	-	-	-	-	-
Square male 6 – 9,5	-	-	-	-	-	-	1004-19
Hexagon head 8 with hole	1004-49	-	-	-	-	-	-
Tube	-	-	-	1004-51	-	-	-

Form H

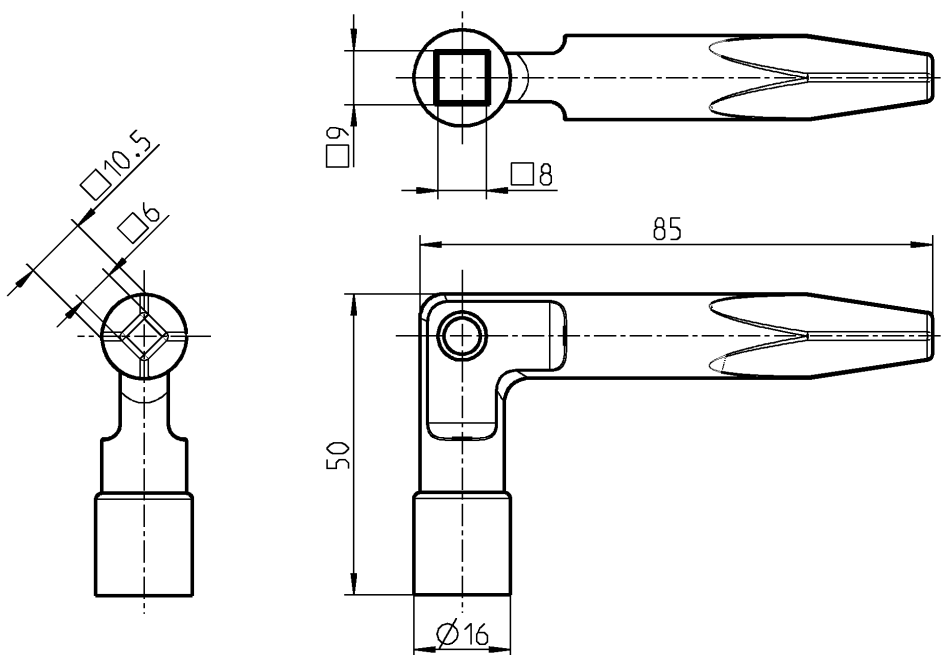


Form H, universal-key polyamide blue

Square male 6, Square 8, Double bit 5 and slot insert

1004-48

Form I



Form I, railway version, zinc die black

Square 8 - 9, square male 6 - 10,5

1004-52



Attention:

Keys of form A, B, C, E, F, G and I not suitable for program 1022

Stainless steel key on request