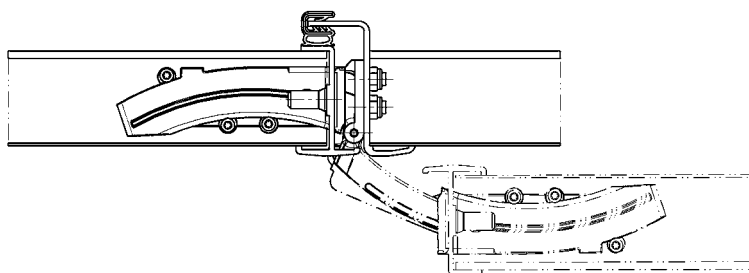
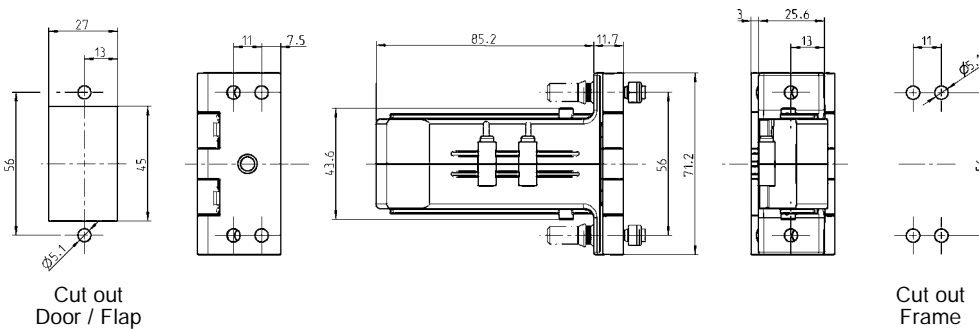
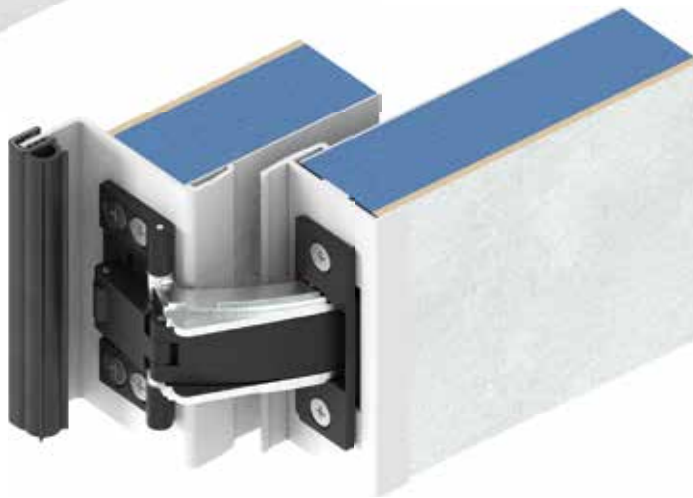
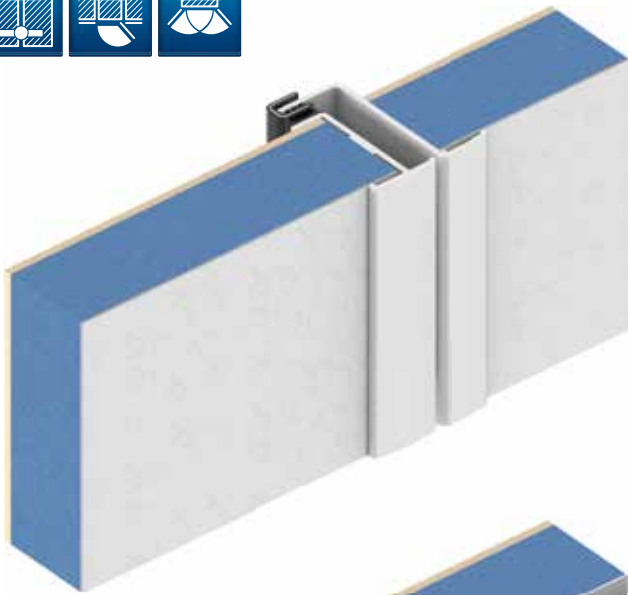


180° Gear hinge

PROGRAMM 1007



180° Gear hinge
housing, frame part and lever polyamide 66 GF 50 black; slide POM black;
hinge slide and gearwheel zinc die zinc-plated; washers PTFE;
pins stainless steel; screws m.s. zinc-plated

1007-U10