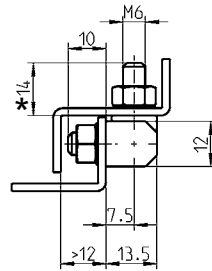
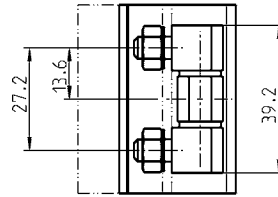
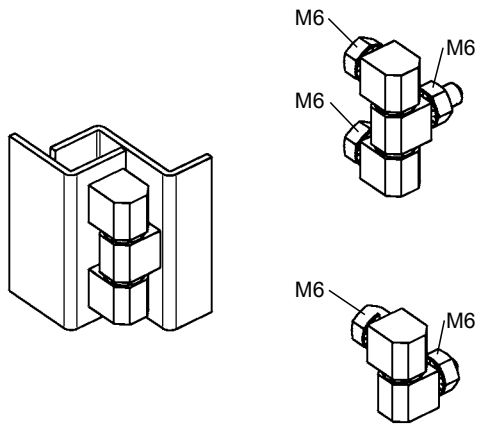


180° screw-on hinge

PROGRAM 1055, 1039

180° screw-on hinge

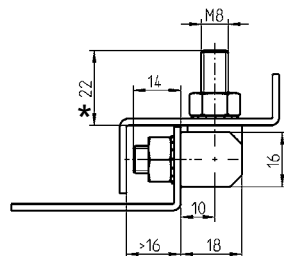
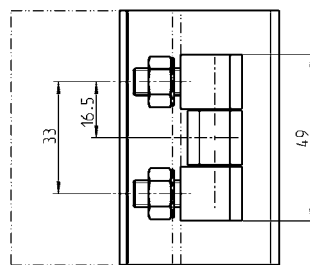
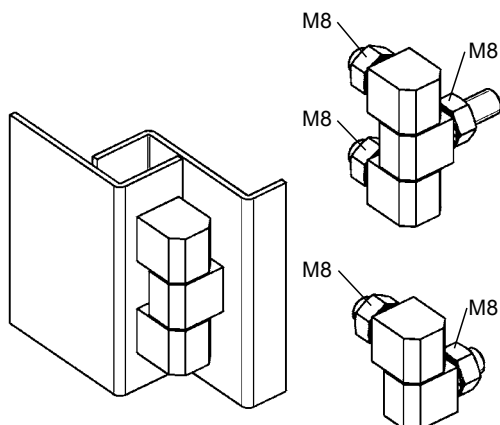


* = 10 mm with two parts of hinge

180° screw-on hinge m.s. zinc plated; pin and washers brass nickel plated respectively completely stainless steel

- three-piece	m.s.	1055-U2
	AISI 303	1055-U6
- two-piece	AISI 316	1055-U8
	m.s.	1055-U5

180° screw-on hinge



* = 14 mm with two parts of hinge

180° screw-on hinge m.s. zinc plated; pin and washers brass nickel plated respectively completely stainless steel

- three-piece	m.s.	1039-U12
	AISI 303	1039-U19
- two-piece	AISI 316	1039-U26
	m.s.	1039-U17

