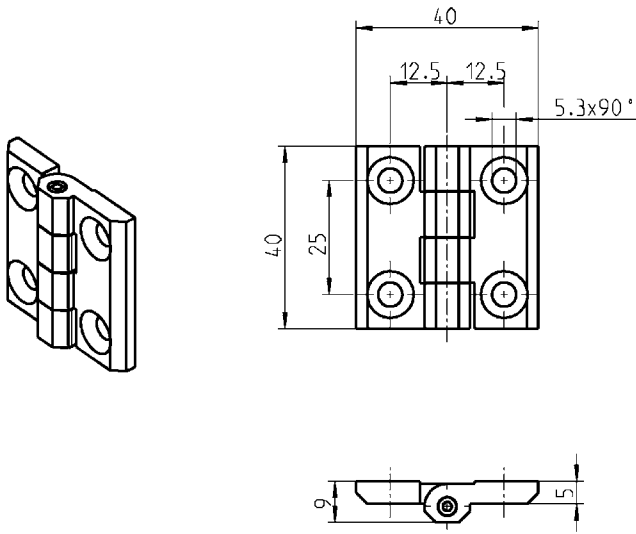


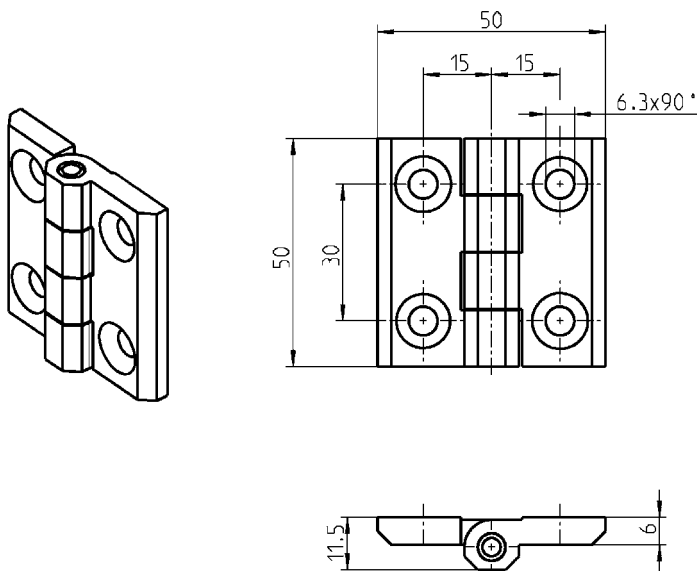
180° Stainless steel screw-on hinge

PROGRAM 1056



Screw-on hinge AISI 316 for countersunk screw M5

1056-U5-PH



Screw-on hinge AISI 316 for countersunk screw M6

1056-U9-PH