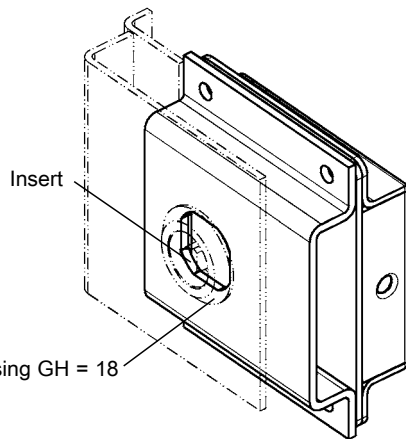
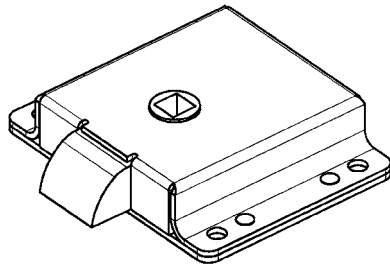
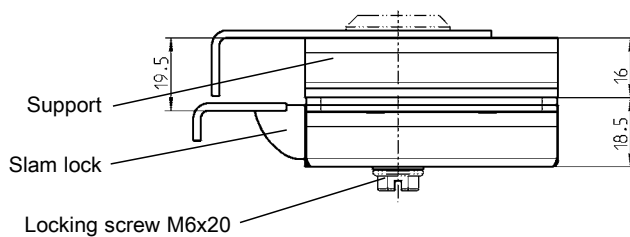
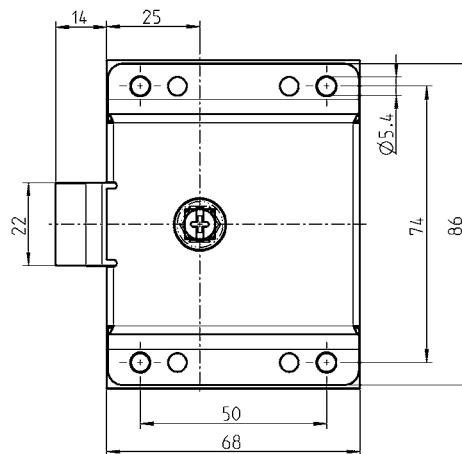


Slam lock

PROGRAM 1034



- Door edge to sq drive c/l approx. 25 mm



Slam latch m.s. zinc pl., zinc die raw and spring steel
Support and vibration proof screw m.s. zinc plated

| | |
|---------------------|---------------|
| Slam lock | 1034-U1 |
| Support | 1034-03 |
| Locking screw M6x20 | 1000-277-04JB |

Further parts see page

– Quarter turns
(bottom)
(at the top)

B1-120
B1-150
B1-160
B1-170
B1-180