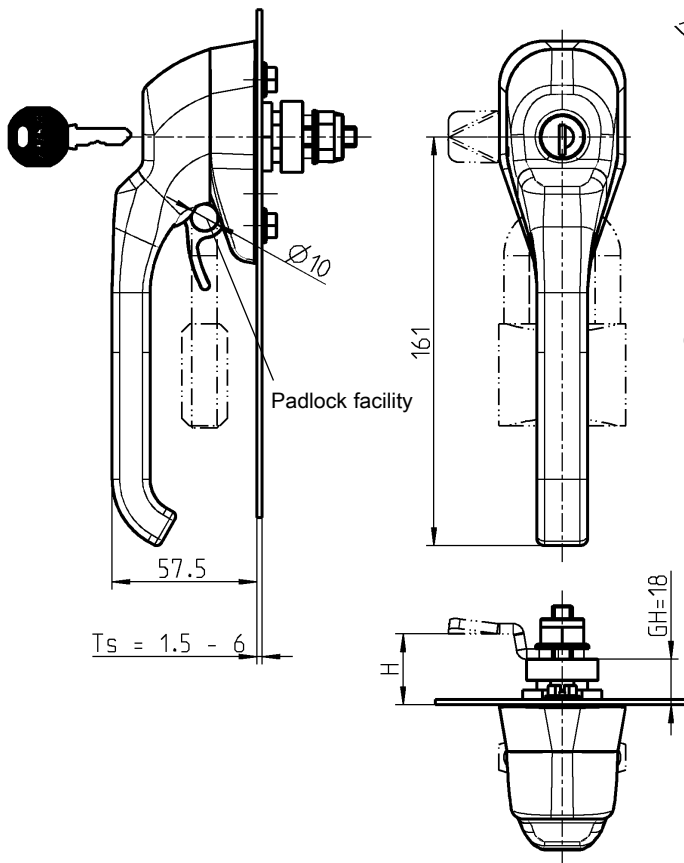
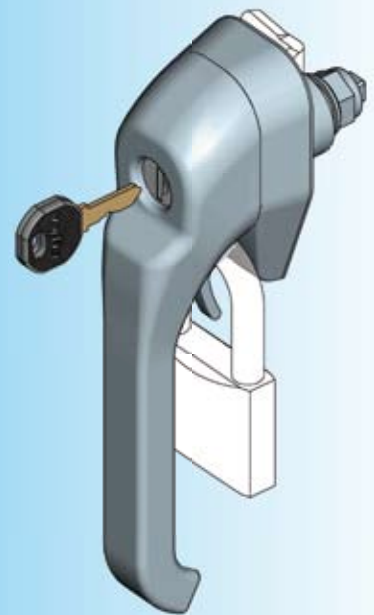
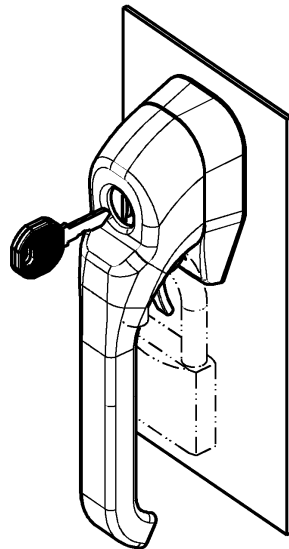


Stainless steel heavy duty latch

PROGRAM 1091

Beschlagteile



Heavy duty latch AISI 316, round cylinder with stainless steel cap and dust cap zinc die chrome plated. Each cylinder has one silver steel key with polyamide GF grip black.

spring loaded

without insert	1091-U142
keyed EK 333	1091-U142-02
keyed different	1091-U142-03
Slot 2 x 4	1091-U142-01

Further parts see page

- Cam with pip 8A-320
- 3-point cam 8A-790
- Spare key 12B-140