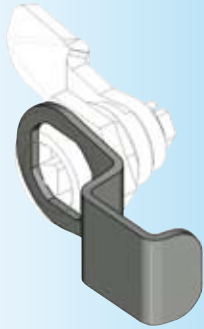


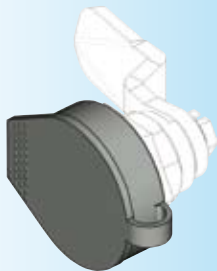
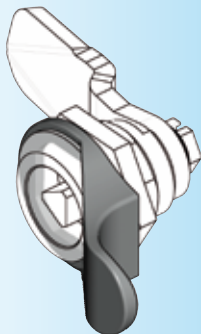


RL

IP 65



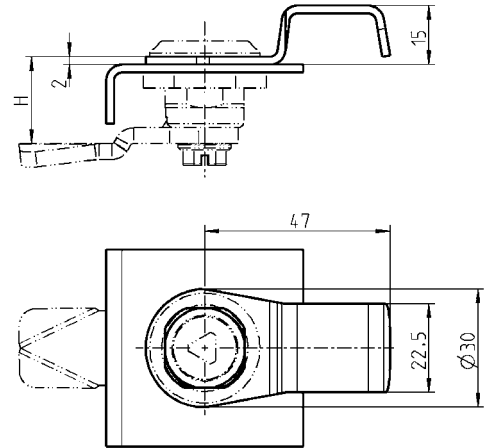
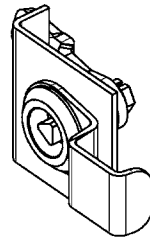
**Attention:**  
The H-dimension will be reduced by 2 mm with the finger pull installed.



**Attention:**  
The H-dimension will be reduced by 2 mm with this dust cap installed.

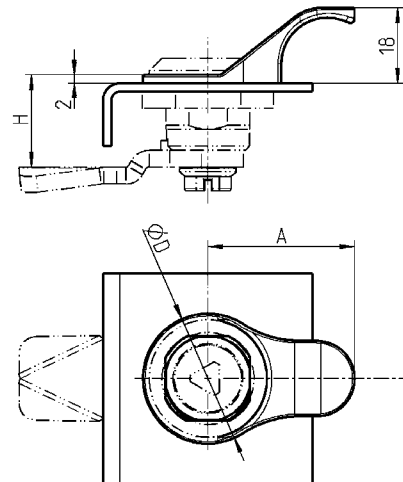
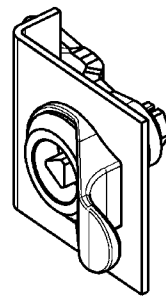
**Further parts see page**

- Quarter turns
- up to 1B-120
- up to 1B-222
- up to 1B-235
- up to 1B-335
- 1B-360
- 1B-420
- 1B-840
- 1B-860



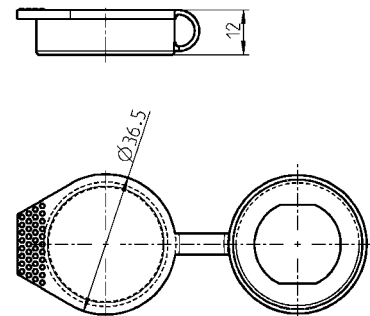
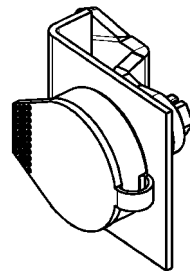
**Finger pull m.s. black powder coated**

	1000-359
<b>IP 65 with:</b>	
Flat seal	1000-23



**Finger pull polyamide GF black**

for housing with head diameter Ø 28	; D = 31, A = 35	1000-358
for housing with head diameter Ø 30 and 32	; D = 35, A = 36	1000-358-01
<b>IP 65 with:</b>		
Flat seal		1000-23



**Dust cap polyethylene black**

	1000-97-01
--	------------