

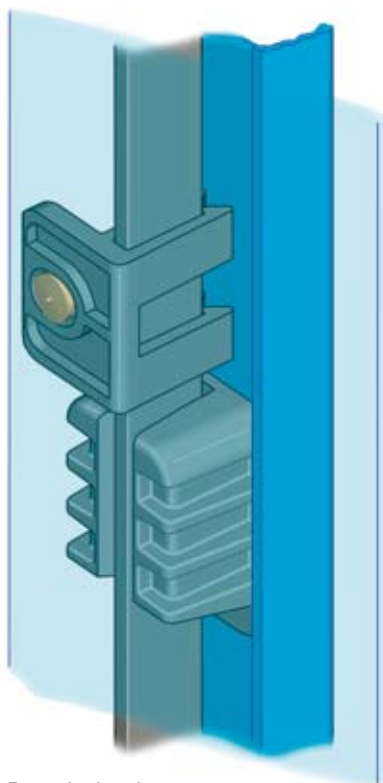
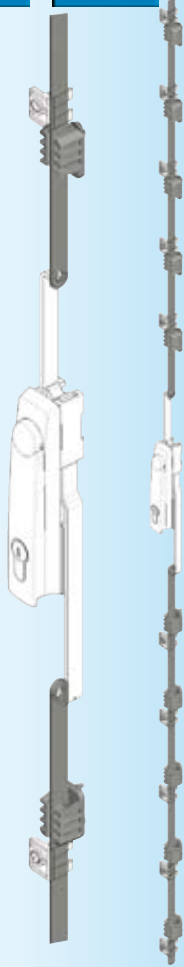


Info

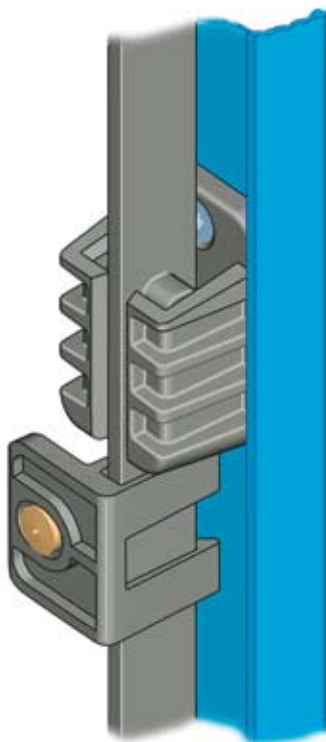
1 Quarter turns

2 Rod controls

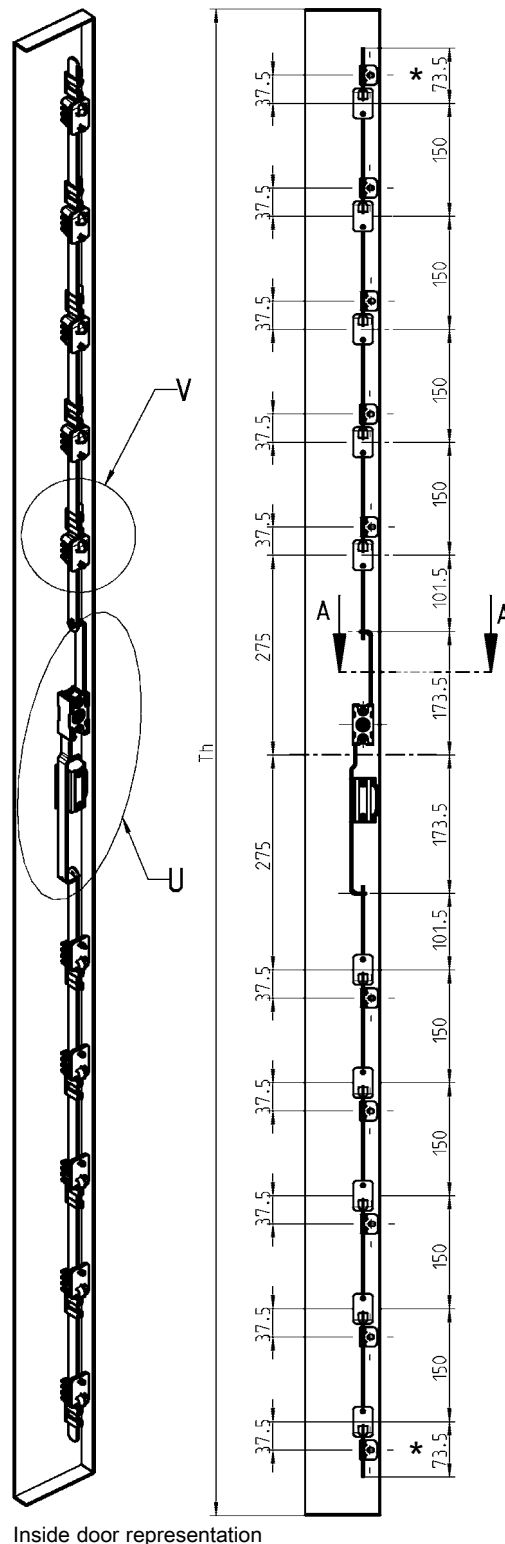
3 Locking systems



Door depicted transparent

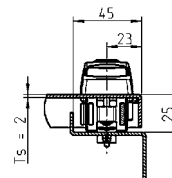


Depiction without door



Inside door representation

* = min length in case of short-ened rods



Further parts see page

- Catches 3ZA-340
- Rod guide 3ZC-120
to 3ZC-170

Program 1160

- Swinghandle and escutcheon 3D-120
3D-140

Program 1180

- Swinghandle and escutcheon 3E-120
3E-140
- Rod control 3YA-320

Program 1190

- Swinghandle 3F-120
- Escutcheon 3F-220

Program 1125, 1150, 1225, 1325, 3000

- Rod control 3YA-120

Program 1150

- Rod control 3YA-420
3YA-440

Program 2100

- Rod control 3YA-520

Rod with locking slider see catalogue page 3ZA-340