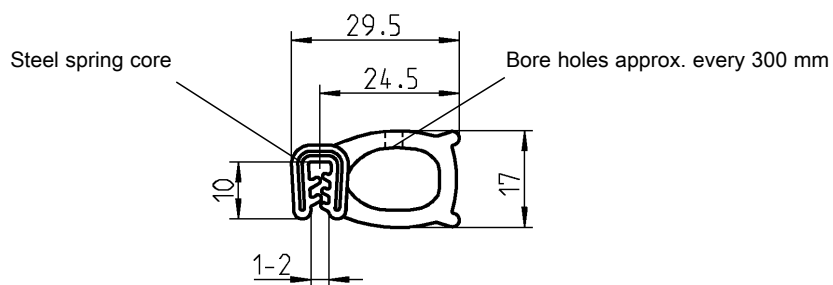


Gasket made of fire protection compound sponge-rubber (EPDM) black (clamping profile sponge-rubber EPDM)

⑤⑥⑦⑧

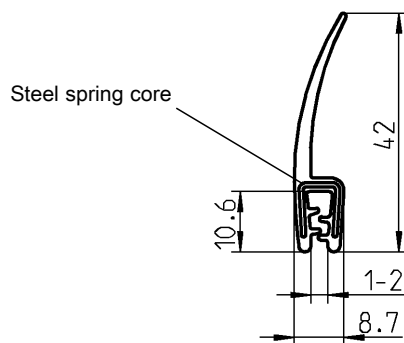
1011-S23



Gasket made of fire protection compound sponge-rubber (EPDM) black (clamping profile sponge rubber EPDM)

⑤⑥⑦⑧

1011-S24



Gasket of fire protection material silicone solid material 70° ±5° Shore A blue-black

①②③④⑤⑥

1011-S83-BF

Fire protection standards

| | |
|---|-------------------|
| ① | DIN EN 45545-2 |
| ② | NF F 16-101/ -102 |
| ③ | DIN 5510-2 |
| ④ | UNI CEI 11170 |
| ⑤ | ASTM C1166 |
| ⑥ | ASTM E662 |
| ⑦ | SMP 800-C |
| ⑧ | BSS 7239 |