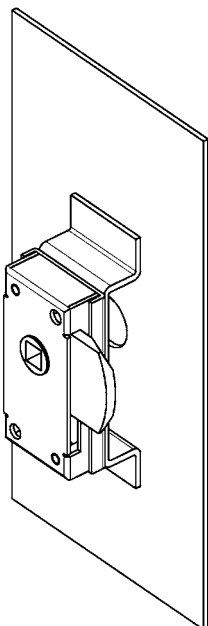


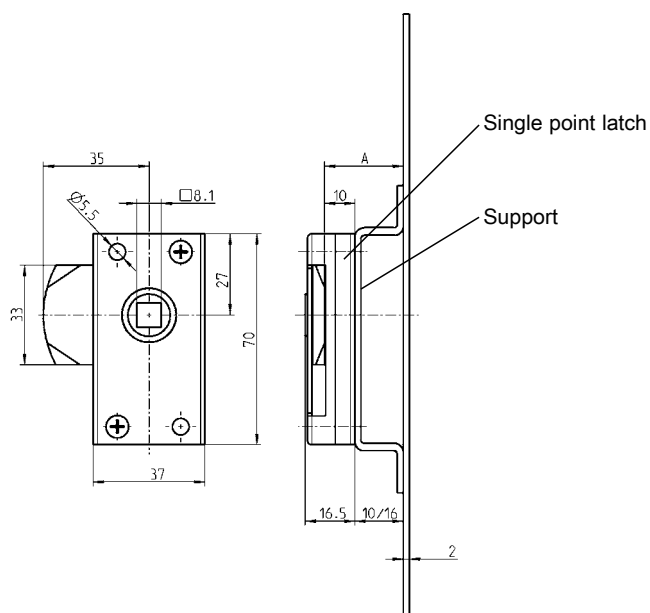
One / Two point latch and hooked latch

PROGRAM WELD ON

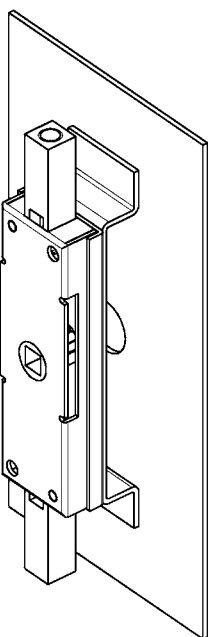
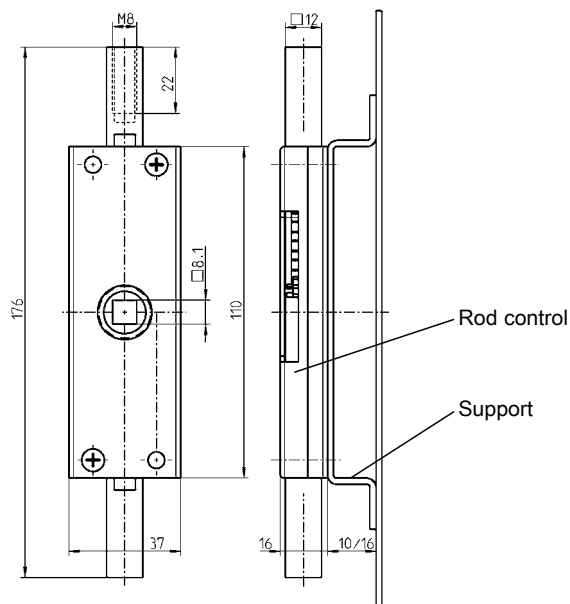
One point latch



90° Turn



Two point latch for screw-in rod

180° turn
stroke 32 mm

One point latch m.s. zinc pl., RH and LH-version

1002-U1

Support m.s. raw

A20

1002-04

A26

1002-05

Two point latch m.s. zinc pl.

RH

1001-U19

LH

1001-U20

Support m.s. raw

A20

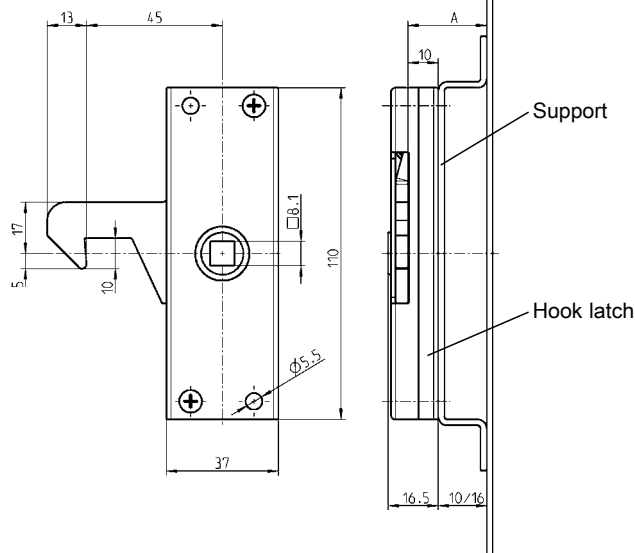
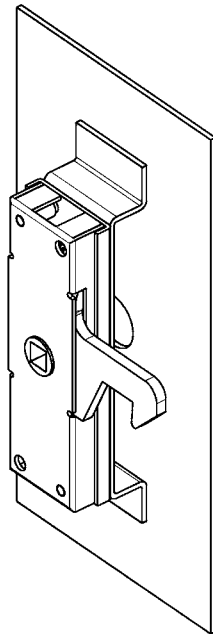
1001-18

A26

1001-19

Hook latch

Hook free running
(spring loaded)



Hook latch m.s. zinc pl.

RH	1001-U30
LH	1001-U31

Support m.s. raw

A20	1001-18
A26	1001-19

Further parts see page

- Insert	2B-160
- T-Handle	2B-160
- L-Handle	2B-160
- Ring-handle	2B-190
- Rod	1C-620
- Adapter system for insulated doors	2A-180