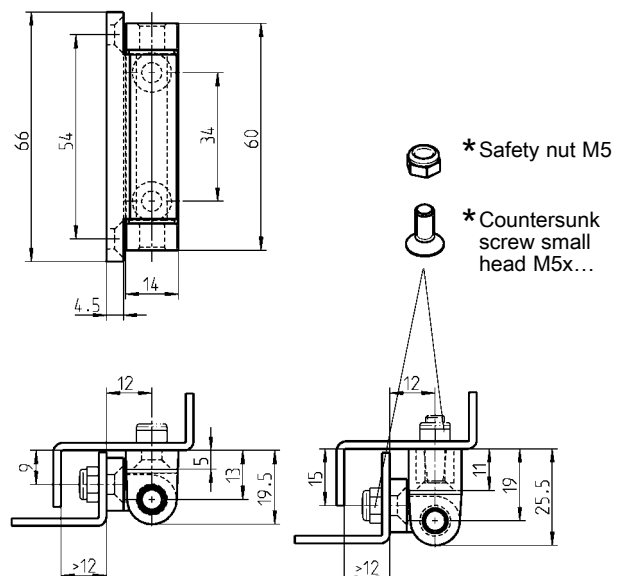
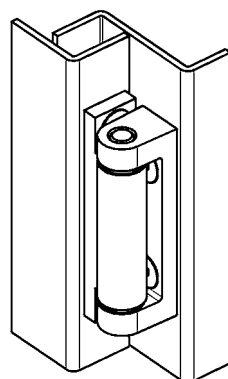
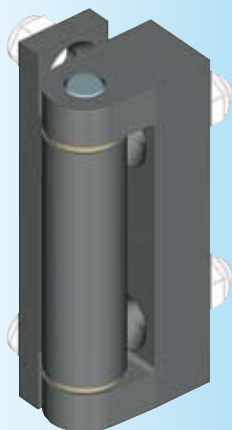


Hinge zinc die; middle part m.s. raw; pin and plate m.s. zinc plated

	Dimension 19.5	Dimension 25.5
chrome plated	1054-U2	1054-U14
black powder coated	1054-U8	1054-U15
raw	1054-U26 **	1054-U25 **

**=Minimum order quantity: 1000 pieces



Hinge zinc die; pin stainless steel and bushes polyamide

	Dimension 19.5	Dimension 25.5
chrome plated	1054-U3	1054-U16
black powder coated	1054-U9	1054-U17
raw	1054-U23 **	1054-U24 **

** = Minimum order quantity: 1000 pieces

* not included

small head = DIN ISO 2009, 2010, 7046-1, 7046-2, 7047