



NEW PRODUCTS

LATCHES | HINGES | GASKETS

WirtschaftsWoche

**WELT
MARKT
FÜHRER**

Champion

2025

EMKA Beschlagteile
Verschlüsse, Scharniere und
Dichtungen für Schalt- und
Steuerungsschränke für Elektronik
und Elektrotechnik

Quelle: Weltmarktführerindex
von Dr. Walter Döring
und Prof. Dr. Christoph Müller

WORLD MARKET LEADER SINCE 2018





*„You can negotiate
on prices, but not
on **quality!**“*

† **Friedhelm Runge**

Founder of the EMKA Group



LIST OF CONTENTS

- | | | | |
|-----------|---|-----------|---|
| 6 | Vibration-resistant quarter turn
Program 1000 | 14 | Outdoor swinghandle with holder for iLOQ cylinder
1317-SU33 |
| 7 | Compression latch square 8 with OPEN - CLOSED indicator
1000-SU1222 | 15 | Outdoor swinghandle RC2 tested with holder for iLOQ cylinder
Program 1317 |
| 8 | Quarter turn for profile half cylinder
1000-SU1222 | 16 | Agent E BLE (Bluetooth Low Energy)
Program 3000 |
| 9 | Flat swinghandle with interchangeable locking sets, short version
Program 2225 | 17 | Single-point latch compact version
Program 3000 |
| 10 | Flat swinghandle with interchangeable locking sets, long version
Program 2225 | 18 | 180° Screw-on hinge without hinge pin
Program 1056 |
| 11 | Complete multi-point locking system made of high quality plastic - Version 3.0
Program 1190 | 19 | 125° Clip-in hinge for quick door assembly
1031-U34 |
| 12 | Multi-point locking system with cams and compression function
Program 1000, 1121, 1150 | 20 | Folding T-Handle
Program 1130 |
| 13 | Corner guide for multi-point locking system with cams
Program 1121 | 21 | HVACR window (optionally with lighting)
Program 1091 |

QUALITY FROM THE WORLD MARKET LEADER

92%

In-house production rate



36,000 customers worldwide



Own production at
11 international locations



Represented in 60 countries worldwide



In-house mould making



More than 50 years of production experience



Own technology center



20 million € insurance per product



Identical production possibilities
at different locations



2,100 employees worldwide



Accredited test laboratory



30,000 catalogue and special products

EVERYTHING AT A GLANCE

You will find a large selection of EMKA products in the **interactive EMKA main catalogue** as well as in the **online product database**.

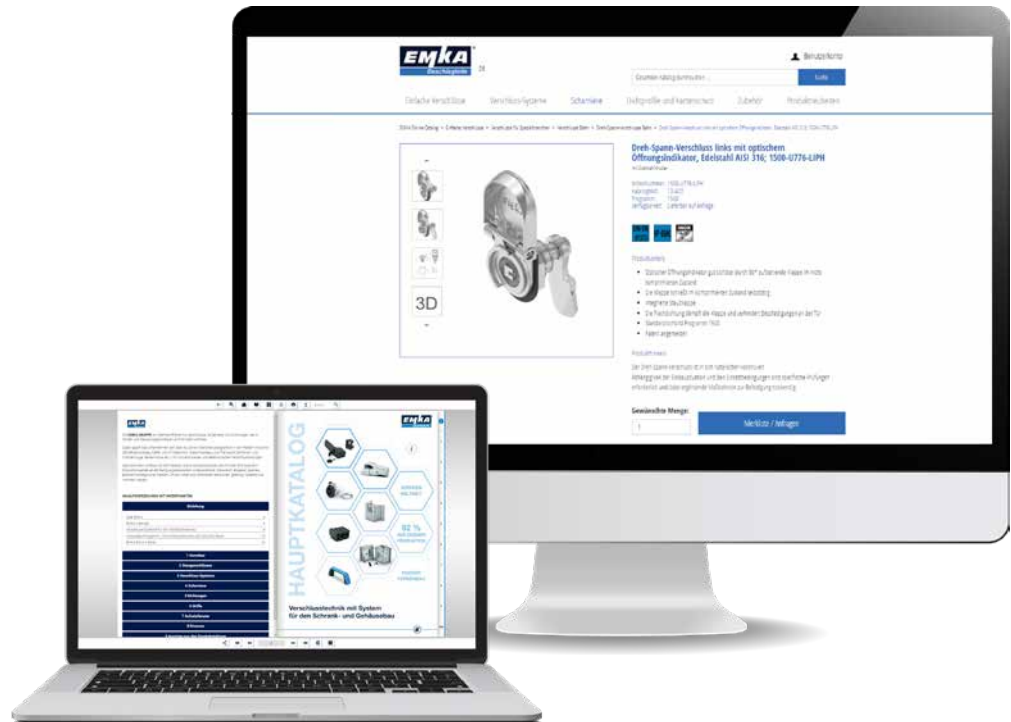
There you also have the possibility to download CAD data in the international exchange formats STEP and IGES as well as detailed product data sheets.



View interactive EMKA main catalogue



View online product database



PROGRAM 1000

VIBRATION-RESISTANT QUARTER TURN



Product description

Material:

- Housing, insert and snap-in washer made of zinc die
- Spring washer made of steel zinc-plated

Surface:

- Housing, insert and snap-in washer chrome-plated

Standard cut out, Program 1000

Length of housing (GH): 18 mm

Suitable for door thicknesses from 1.2 - 8 mm

Product benefits

Acoustic and haptic feedback while operation

Shock and vibration tested according to
DIN EN 61373 Cat. 1B

Meets protection class IP 69K

Successfully tested over 10,000 cycles
(competitor products only achieved half)

Several insert variants available

High operating comfort

Cost-effective



1000-SU1222

COMPRESSION LATCH

SQUARE 8 WITH OPEN - CLOSED INDICATOR



Product description

Material: V4A / AISI 316

Insert: Square 8 mm - Other inserts possible thanks to interchangeable modules in the tool

Housing with foam groove, in current version without PUR foamed gasket

Standard cut out, Program 1000

Housing head: Ø 40 mm

Length of housing (GH): 31 mm

Product benefits

Status indicator pad print:
red = open, green = closed

Abrasion-resistant colour marking according to DIN EN 62208-2012-06

Retainer for cams of 4 mm and 6 mm material thickness

Meets protection class IP 65 when housing is equipped with PUR foamed gasket

Shock and vibration tested according to DIN EN 61373

Fire protection tested acc. to DIN EN 45545-3 - Class E60



1000-U991

QUARTER TURN FOR PROFILE HALF CYLINDER



Product description

Material:

- Handle made of ABS plastic
- Housing and locking elements made of zinc die

Available in black (RAL 9005)

Foamed gasket

Flush installation for 40 mm profile half cylinders according to DIN 18252

In addition to DIN cylinders, profile half cylinders with EMKA locking or insert are also possible

Right and left usable

Standard cut out from quarter turn program 1000

Length of housing (GH) = 18 mm

Product benefits

Convenient operation thanks to handle-like housing

"Push-to-close" function
(locking possible without key)

Shock and vibration tested according to
DIN EN 61373 Cat. 1B

Meets protection class IP 66

Key can be inserted from the front, prevents
scratches on the painted housing

Modern design based on programs 1325 and 1390

No need to adjust the locking thumb on the profile
half cylinder



PROGRAM 2225

FLAT SWINGHANDLE

WITH INTERCHANGEABLE LOCKING SETS, SHORT VERSION



Product description

Material:

- Dish, handle and cylinder cover made of zinc die black powder-coated
- Cap zinc die zinc-plated
- Shaft AISI 303

Foamed gasket

Spring-loaded handle

Suitable for cams

Cut out: 70 x 25 mm

Due to the installation space, the direction of rotation of the handle is opposite to the usual direction of rotation

Compression distance 6 mm for version with compression function

Product benefits

Stands only 9 mm in front of the door

Exchangeable locking sets for profile half cylinder (PHZ), KABA cylinder (type 1036), round cylinder and inserts

Locking sets can be exchanged from the front of the cabinet (patented)

Integrated scratch protection

High strength with a flat design

Meets protection class IP 66

Shock and vibration tested according to DIN EN 61373

Successfully tested over 10,000 cycles (approx. 6 Nm load)



FLAT SWINGHANDLE

WITH INTERCHANGEABLE LOCKING SETS, LONG VERSION



Product description

Material:

- Handle, dish, cylinder cover and cap made of zinc die black powder-coated
- Shaft AISI 303

Foamed gasket

Spring-loaded handle

Suitable for rod controls and cams

Cut out: 50/50/50

Product benefits

Stands only 9 mm in front of the door

Exchangeable locking sets for profile half cylinder (PHZ), KABA cylinder (type 1036), round cylinder and inserts

Locking sets can be exchanged from the front of the cabinet (patented)

Integrated scratch protection

High strength with a flat design

Meets protection class IP 66

Shock and vibration tested according to DIN EN 61373

Successfully tested over 10,000 cycles (approx. 10 Nm load)



PROGRAM 1190

COMPLETE MULTI-POINT LOCKING SYSTEM

MADE OF HIGH QUALITY PLASTIC

VERSION 3.0



Product description

Newly developed adapter enables the connection of plastic rods and **all** EMKA locking systems with flat rod holder (swinghandles, lifthandles, escutcheons with rod holder)

Can be used inside and outside the gasket for door heights from 800 to 2,200 mm

Rod adapter can be clipped-on without tools

Fixing of the rod guides with welding studs M6 x 10 or carriage bolts M6 x 10

Overrun shoe for locking systems inside the gasket

Plastic rod can be shortened individually on site to the required length

Product benefits

Can be used inside or outside the gasket

Perfect sliding of the flat rods in all guides when opening and closing

Silent opening and closing

Easy adjustment of the flat rods to the required lengths

approx. **30 % cheaper** than the steel rod system



PROGRAM 1000, 1121, 1150

MULTI-POINT LOCKING SYSTEM WITH CAMS AND COMPRESSION FUNCTION



Product description

Modular locking system with multiple locking points

Closure by cams inside the gasket

Locking points with compression function
(combined rotary and lifting movement
with 4 mm compression)

Positioning and number of locking points freely
selectable

Locking points, cams, connecting rod and
rod control made of stainless steel
(also available in other materials)

Cut out and control element independent of the
system inside the cabinet

Right and left usable

Product benefits

High closing comfort thanks to central operation of
all locking points

Saves time when opening and closing several locking
points simultaneously

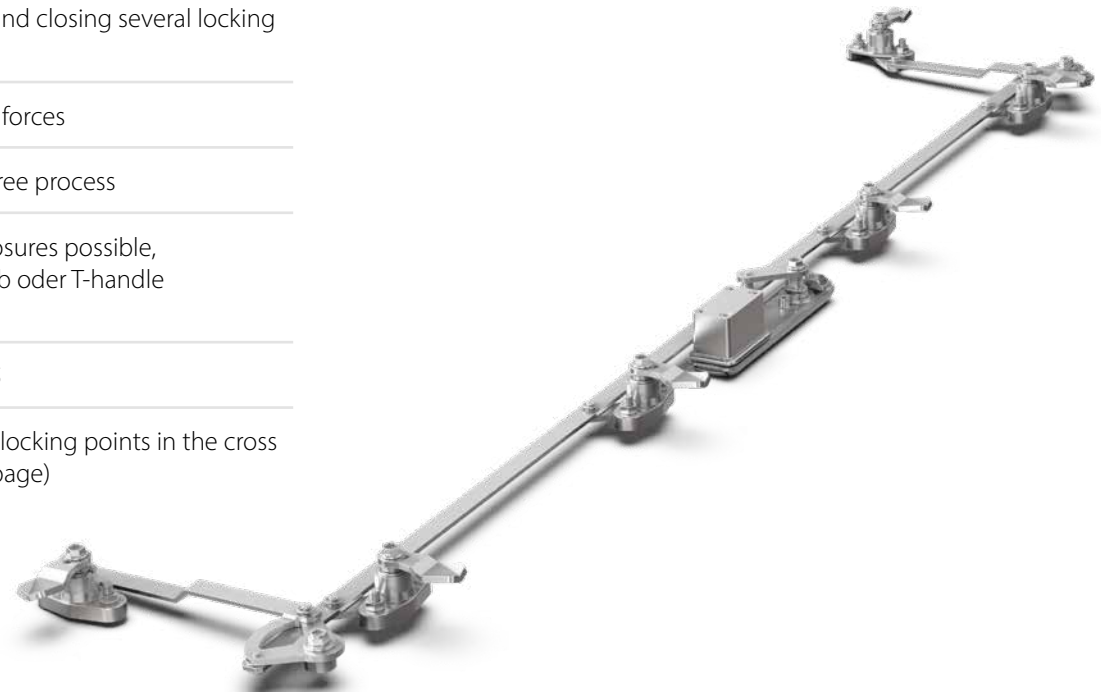
Even distribution of closing forces

Delay-free and translation-free process

Drive with various EMKA closures possible,
e.g. swinghandle, wing knob oder T-handle
or quarter turn

Meets protection class IP 65

Corner guide for additional locking points in the cross
shoring possible (see next page)



PROGRAM 1121

CORNER GUIDE

FOR MULTI-POINT LOCKING SYSTEM WITH CAMS



Product description

Corner guide suitable as an optional addition for multi-point locking systems with cams

Enables the use of additional locking points in the cross shoring

Can be used for systems with and without compression

Material versions:

- Steel zinc-plated
- Stainless steel

Product benefits

Increased safety thanks to locking points in the cross shoring

Delay-free and translation-free process for additional locking points in the cross shoring

Stainless steel version enables increased fire protection, corrosion and safety requirements to be met



1317-SU33

OUTDOOR SWINGHANDLE WITH HOLDER FOR ILOQ CYLINDER



Product description

Basis of handle 1317-U102, but with a handle made of polyamide

Material:

- Handle made of polyamide
- Dish made of zinc die

Foamed gasket

Suitable for cams

Cut out: 1317 with 105 mm spacing and □ 46 mm cut outs

Product benefits

Holder for the iLOQ S50 profile half cylinder (D50S.511.SD, D50S.111.SD)

Support ring protects the rotary knob antenna of the cylinder

Integrated scratch protection

Fulfills protection type IK 10 according to DIN EN 50102

Meets protection class IP 65



PROGRAM 1317

OUTDOOR SWINGHANDLE RC2 TESTED WITH HOLDER FOR ILOQ CYLINDER

**Product description**

Material:

- Dish, handle and cap made of zinc die
- Shaft made of stainless steel

Surface:

- grey powder-coated RAL 7038

Foamed gasket

Suitable for cams

Cut out: 1317 with 105 mm spacing
and □ 46 mm cut outs

Product benefits

Holder for the iLOQ S50 profile half cylinder
(D50S.511.SD, D50S.111.SD)

Support ring protects the rotary knob antenna
of the cylinder

RC2 burglary protection based on DIN EN 1627
and 1630

Integrated scratch protection

Fulfills protection type IK 10 according to DIN EN 50102

Meets protection class IP 65

Available in two variants:

- Complete swinghandle
- Conversion set to convert standard handles



PROGRAM 3000

AGENT E BLE (BLUETOOTH LOW ENERGY)



Product description

Battery-powered handle in the design of the well-known Agent E series

Suitable for retrofitting or upgrading for many different types of enclosures

Available in different versions (e.g. for rod control or cam)

Opening via smartphone and BLE connection with "EMKA Smart Access Key" app (available to download free of charge from the Playstore or App Store)

Automatic logging of all opening and locking processes in the cloud via the smartphone used

Each customer receives their own cloud instance for their company to register and manage their handles via the "EMKA Smart Access Key Manager"

Suitable for indoor control cabinets and server racks

Product benefits

Adaptable to many different cabinet models

Easy installation without wiring

Two-factor authentication as standard (smartphone and access authorization via app)

Semi-online system (all opening and locking processes are logged, but not vandalism)

Automatic reminder to the user via push message if the cabinet door is left open

No limit on the number of registered users per customer

Convenient management application for PC



PROGRAM 3000

SINGLE-POINT LATCH

COMPACT VERSION



Product description

Electronic locking element invisible from the outside for various applications

Available in 4 different versions:

- Direct locking
- Delayed locking
- Opening when the operating voltage is switched off
- Opening by control pulse

Impact-resistant plastic housing made of PA6, 30 % GF

Potential-free switch for remote monitoring

Emergency opening via bowden cable (optional)

Suitable for flaps and doors
(e.g. packing stations, letterbox systems and lockers)

Product benefits

Compact design with low overall height

Wide supply voltage range (9 ... 32 V)

High static closing force of 1500 N

Dynamic closing force 100 N
(force under which the locking mechanism still opens electrically)

Cost-effective



PROGRAM 1056

180° SCREW-ON HINGE WITHOUT HINGE PIN



GERMAN
INNOVATION
AWARD '24
WINNER



Product description

Hinge consists of two equal hinge halves

The hinge halves are design protected

Screw-on for flush doors

Opening angle 180°

Right and left usable

Available in three different sizes for countersunk screws:

- 40 x 40 mm (M5)
- 50 x 50 mm (M6)
- 60 x 60 mm (M8)

Available in four different materials and various colours or surfaces:

- Polyamide (glass fibre reinforced plastic)
- Zinc die casting
- Aluminium die casting
- Stainless steel precision casting

Product benefits

Concept-related price advantages compared to the respective 1056 hinge with hinge pin

Assembly without tools in seconds by plugging the hinge halves into each other without additional hinge pin (hinge halves cannot be detached in the screw-on position)

Wide range of sizes, materials and finishes with this variant, thus the right hinge for every application



1031-U34

125° CLIP-IN HINGE FOR QUICK DOOR ASSEMBLY



Product description

Material:

- Frame part, pin and spring pin steel zinc-plated
- Door part with bolt zinc die zinc-plated
- Shaft clamping ring POM red
- Sliding washer plastic black
- Spring stainless steel

Cut out: Frame part is dimensionally identical to 1031-U13, door part has a hole spacing of 35 mm

Concealed hinge (not visible) for prominent doors

Fixing type: screw-on

Opening angle 125°

Right and left usable

Door return 25 mm

Product benefits

Simplified door assembly without tools
(door part engages automatically
when the door is assembled)

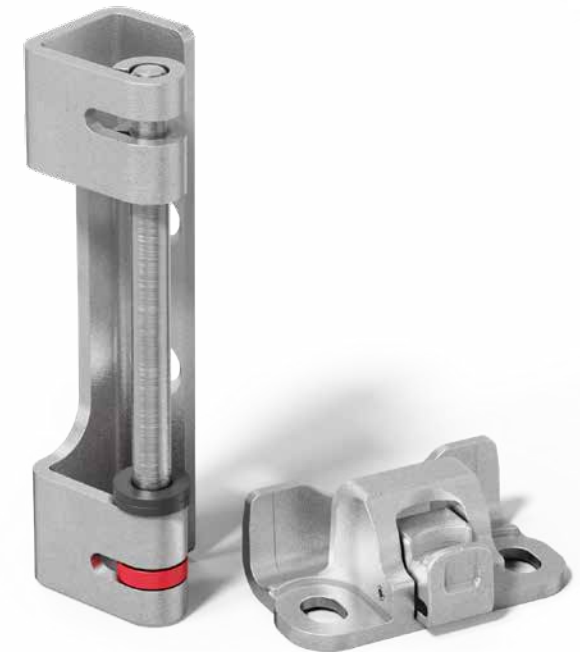
Hinge pin secured against loss with knurl and
shaft clamping ring

Shock and vibration tested according to
DIN EN 61373 Cat. 1B

Slotted holes on the door section allow precise fine
adjustment in the horizontal direction

Excellent sliding properties thanks to use
of plastic sliding washer

Successfully tested in an endurance run



PROGRAM 1130

FOLDING T-HANDLE



Product description

Material:

- Dish and dust cap made of polyamide
- Shaft made of brass
- Handle zinc die chrome-plated or powder-coated

Gasket:

- PUR sealing foam

Industry-typical cut out

Locking options:

- Standard steel cam
- Roller cam
- Height-adjustable roller cam
- On request: Multi-point locking and rotary latch lock

Various key systems to choose from:

- CH751
- Caravan System 2 (HSC)
- Caravan System 3
- Blind (non-keyed)

Product benefits

Flush lock with modern design

Ergonomic haptics and comfortable handle size
(can also be operated with gloves)

„Push-to-close“ function

Compression distance: 6 mm
(comparable products only 4 mm)

Shock and vibration tested according to DIN EN 61373

Meets protection class IP 65

Endurance run successfully completed

Integrated padlock eyelet for additional security



PROGRAM 1091

HVACR WINDOW

(OPTIONALLY WITH LIGHTING)



Product description

Material:

- Window: Polycarbonate
- Spacer frame: ABS black
- Screws: V2A

Industry-typical cut out: □ 200 mm

Optionally with customer logo on the edge of the pane or cover frame

Optional: Spacer frame halves with PUR foamed gasket that seal against each other

Optionally with lighting, no impairment of the field of vision (clear width: □ 151 mm)

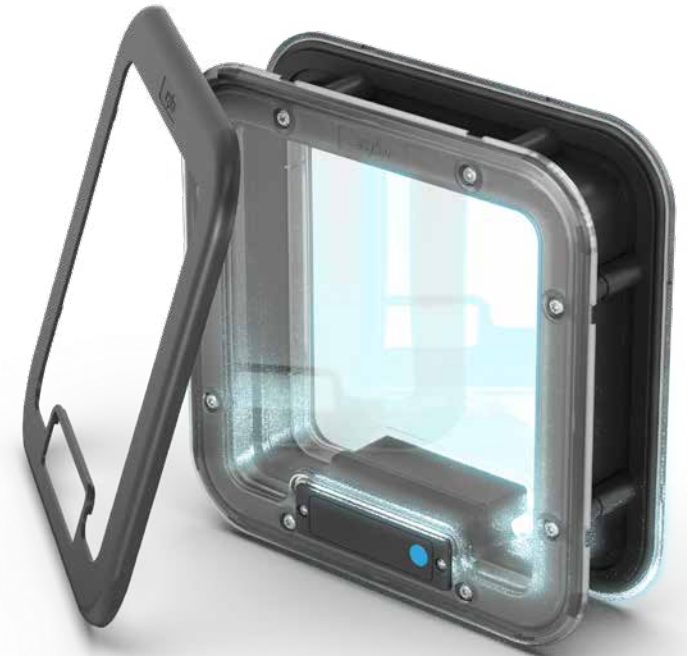
Product benefits

Modular design for different door thicknesses:
30, 35, 40, 45, 50, 60 mm (tolerance ± 2 mm)

Meets hygiene requirements in accordance with
VDI 6022, ISO 846

Meets protection class IP 65

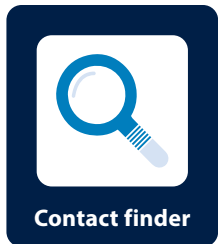
Patented



OUR SERVICE

Do you have any questions or an idea for a customized special product?
Contact us!

We look forward to receiving your inquiry
and are by your side as a strong partner
with our expertise!



A STRONG PARTNER BY YOUR SIDE

EMKA Beschlagteile GmbH & Co. KG



Langenberger Str. 32
42551 Velbert
Germany



+49 2051 273 0



info@emka.com



www.emka.com

Follow us on LinkedIn!

