



Ingenious  
Locking Technology  
Mounted Quickly



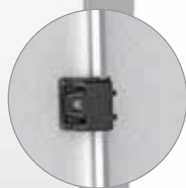
Swinghandle



Rod control with cam



Bridge



Rod control



Guiding shoe



Accessories



Gasketings



Hinges

## Locking systems for switch cabinets

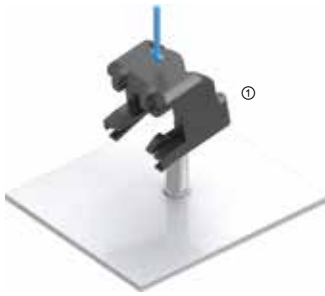
The modular range of EMKA products offers a unique choice of different types of locking systems for the cabinet construction.

The high quality and product standards are guaranteed by an excellent manufacturing know-how and by the certified process control according to ISO 9001.



EMKA offers special product solutions for quick mounting. These facilitate simple, toolless handling that does not only save time but is also done very easily.

This saves time and money.



① Flat rod guide 1121-135

## Flat rod guide, clip-in

- Also suitable for powder-coated weld studs
- Sturdy design, high pull-off forces
- Rod guide spring-loaded
- Clip-in flat rod
- Mounted quickly without tools
- Patented

①



① Round rod guide 1001-U47

## Round rod guide, clip-in

- Also suitable for powder-coated weld studs
- 1 product for 2 heights (20 mm / 26 mm)
- 100% corrosion-resistant
- Mounted quickly without tools
- Patented



①



②

- ① For fl at rode 1121-U186  
② For round rode 1000-526-AA

## Shoe for flat and round rod

- Increased range
- Soft lock
- Flat and round rod rattle-free
- Innovative design
- Mounted quickly without tools
- Patented



① Hinge 1056-U68

## Hinge without pin, clip-in

- Identical hinge parts
- Without usual hinge pin
- For right-hand and left-hand door
- Made completely of polyamide
- 100% corrosion-resistant
- 220° opening angle
- Patented



① Click-in cam 1022-54-02 (1.5 - 2.0 mm Metal gauge incl. surface coating)  
 1022-55-02 (1.0 - 1.5 mm Metal gauge incl. surface coating)  
 1022-56-02 (0.5 - 1.0 mm Metal gauge incl. surface coating)

② Insert 1022-U91

## Quarter turn 1022 for quick mounting

- Increased compression
- High IP rating (IP 69 K)
- 100% corrosion-resistant
- Cut out  $\square$  14.1 rounded up to 16.3
- Mounted quickly without tools
- Available for metal gauges from 0,5 to 2 mm
- Patented





① Cam 1000-5046-SI

② Insert 1000-U873

③ Click-in housing 1000-551-00 (1.5 - 2.0 mm Metal gauge incl. surface coating)  
 1000-551-01 (1.0 - 1.5 mm Metal gauge incl. surface coating)  
 1000-551-02 (0.5 - 1.0 mm Metal gauge incl. surface coating)

## Quarter turn 1000 for quick mounting

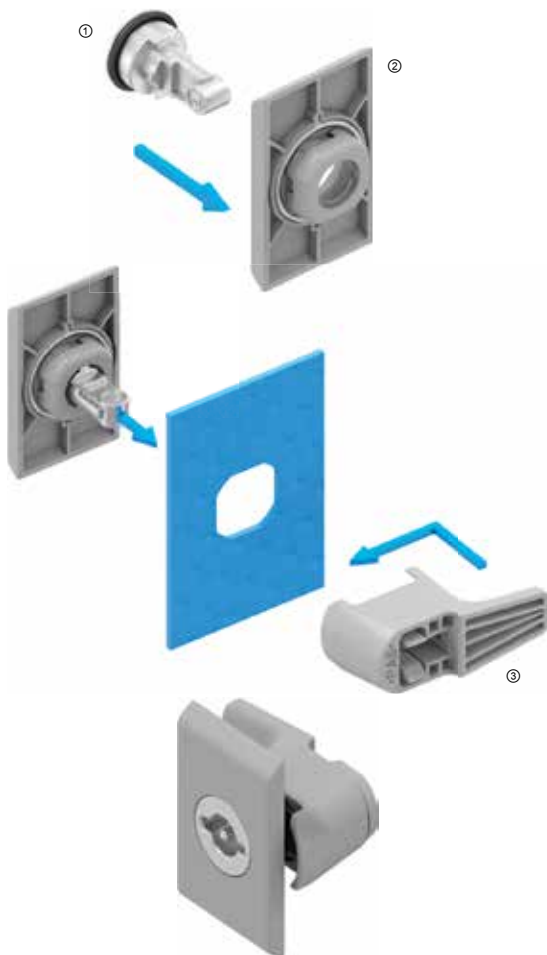
- Alternatively with polyamide and steel cam
- High IP rating (IP 69 K)
- For right-hand and left-hand door
- Cut out  $\square$  20.1 rounded up to 22.5
- Mounted quickly without tools
- 3 types for different metal gauges
- Patented



- ① Insert 1500-B140-H18
- ② Locking clip 1500-02-10 (1.0 - 1.5 mm Metal gauge incl. surface coating)  
1500-02-15 (1.5 - 2.0 mm Metal gauge incl. surface coating)
- ③ Housing 1500-01-G

## Quarter turn 1500 for quick mounting

- Low-priced locking solution
- High IP rating (IP 65)
- 100% corrosion-resistant
- Cut out  $\square$  22.1 rounded up to 24.5
- Mounted quickly without tools
- Patented



① Insert by choice 1000-U973 to 1000-U978

② Housing pre-assembled 1000-U972

③ Snap-in cam - height and door thickness variable 1000-590-CX to 1000-601-CX

## Quarter turn 1000 for quick mounting

- 3 parts toolless mounted in 3 seconds
- Polyamide in metallic optics
- Pre-assembled housing plate with structured surface
- High IP rating (IP 69 K)
- Available for metal gauges from 1 to 3 mm
- Cut out  $\square$  20.1 rounded up to 22.5
- Patented

**WirtschaftsWoche**

---

 **WELT  
MARKT  
FÜHRER**

**Champion**

---

**2020**

---

**EMKA Beschlagteile**  
Verschlüsse, Scharniere  
und Dichtungen

---

 Akademie Deutscher Weltmarktführer

 Henri B. Meier  
Unternehmerschule  
Universität St.Gallen

[www.EMKA.com](http://www.EMKA.com)

EMKA Beschlagteile GmbH & Co. KG  
Phone: +49/2051/273-0  
42551 Velbert, Germany  
[info@emka.com](mailto:info@emka.com)