



Custom-made
sealing profiles from
in-house production



Gaskets made by EMKA

EMKA is specialised in extruding rubber and plastic profiles.

At some plants in the UK and Spain rubber profiles are made in a wide range of types as standard and custom made solution. As carrier sections meshed tape and metal-reinforced strips can be used and textile yarn can be worked in. Moreover, flocking is also possible.

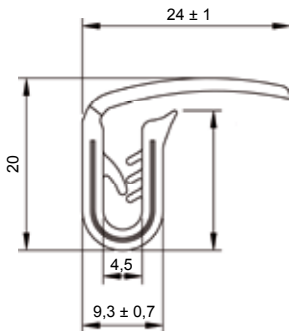


In the further processing department fixed lengths, vulcanised rings and frames can be made to size. Some EMKA branches have machines for vulcanising corner joints. The application of adhesive tape or lubricant varnish completes the range.

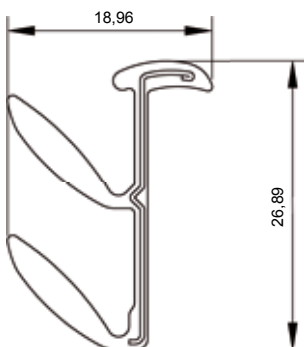
EMKA know-how guarantees top quality.



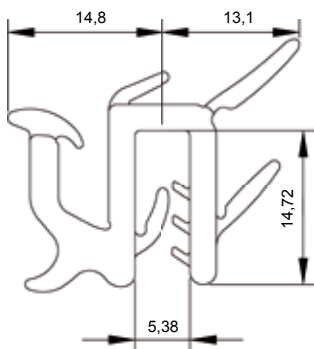
Item no.:1011-S91



Item no.:F 129

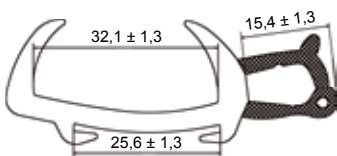


Item no.:TP 10

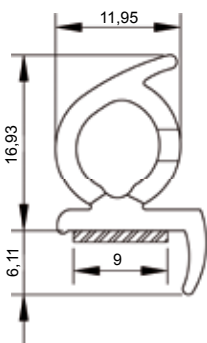


Product range

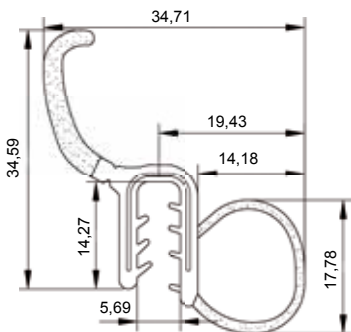
- Sealing profiles
- Rubber profiles
- Edge protection
- Sponge rubber
- Rubber moulded parts
- Plastic profiles



Item no.:HP 708-02



Item no.:F 2003



Item no.:F117

EMKA manufactures more than 1,500 sealing profiles. Many of which are catalogue standard parts, some custom-made unique copies. Either way, for every requirement the right sealing.

On request we supply our high quality goods with the respective certification and / or test panels for further tests at customer's site.



From the idea to the product.

EMKA offers individual manufacturing made to customer specification.

With its in-house tool and mould making as well as state-of-the-art development, manufacturing and testing methods a maximum of product quality and reliability is ensured.



Materials

- EPDM
- NBR
- SBR
- PVC
- TPE
- TPV
- PP



Machinery

- UHF extrusions lines
- Salt bath extrusion lines
- PVC and TPE extrusion lines
- Injection and film vulcanising
- Cutting/punching presses for precise lengths
- SK film laminator
- Insertion of sealant

The production lines as well as rubber compounds and profiles made from them are tested and certified according to German, European and international standards:

- ISO 9001:2008
- ISO 14001:2009
- VDI 6022
- ISO/TS 16949:2009 SSLR
- PMMA compatible according to Röhm
- DIN 7863
- DIN 5510-2
- UL 50 und UL 50E
- UL 94-HB
- UL 94 V-0
- NF F16-101/ -102
- CEN/TS 45545-2
- ASTM C 1166:2006
- ASTM E 662:2012
- SMP 800-C



Diverse sectors, one partner!

- Making of switch cabinets / server racks
- Railway vehicles / trains
- Caravan
- Automotive
- Transport and commercial vehicles
- HVAC
- Window and front
- General industrial sector



**GERMAN
INNO
VATION
AWARD '19
WINNER**

www.EMKA.com

EMKA Beschlagteile GmbH & Co. KG
Phone: +49/2051/273-0
42551 Velbert, Germany
info@emka.com