



Agent E Stand Alone – Schwenkgriff mit integriertem RFID

Die Schwenkgriffe der Baureihe Agent E Stand Alone verfügen über einen integrierten Kartenleser für RFID Token 13,56 MHz. Die Konfiguration erfolgt mit der Software Agent E Stand Alone Manager über die USB-Schnittstelle. Alle Öffnungs- und Schließvorgänge des Griffes werden ausfallsicher mit Datum, Uhrzeit und verwendetem Token protokolliert und lassen sich jederzeit über die USB-Schnittstelle auslesen und auswerten.

Technische Änderungen vorbehalten. Weiterführende Informationen unter www.emka-electronics.com.



Agent E Wireless – Swing Handle with RFID Card Reader

Swing Handles series Agent E Wireless have a built-in reader for RFID tokens 13.56 MHz. Configuration is via software Agent E Stand Alone Manager and USB port. All opening and locking events of the handle are logged fail-safe with date and time. Events can be retrieved from the lock via USB port for evaluation.

Subject to technical changes. Further information can be found under www.emka-electronics.com.



Power supply: 2 x AAA battery
 Ambient temperature: 10°C to 35°C
 Storage temperature: 0°C to 45 °C
 Rel. Humidity: < 80 %, no condensation
 RFID cards: 13.56 MHz
 120 RFID cards per handle
 Event log: 2000 events

Note

- Install batteries first before closing the handle
- Install and screw tight battery cover before operating the handle. Without cover, batteries may fall off.

Open handle procedure

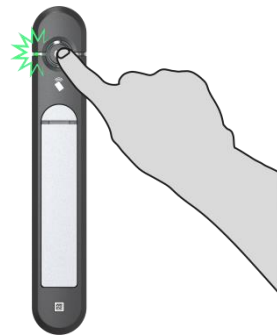


Fig. 2: Press the button - left LED starts blinking.

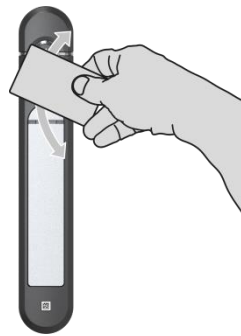


Fig. 3: Immediately swipe RFID card over reader area



Fig. 4: With valid RFID card, right LED starts blinking and handle opens. Red LED indicates invalid card

Replacing batteries



Fig. 6: Open handle and remove battery cover first to change batteries

Emergency power supply



Fig. 7: Remove USB cover, connect to laptop or mobile phone charger for powering up in case of battery failure

Dimensions

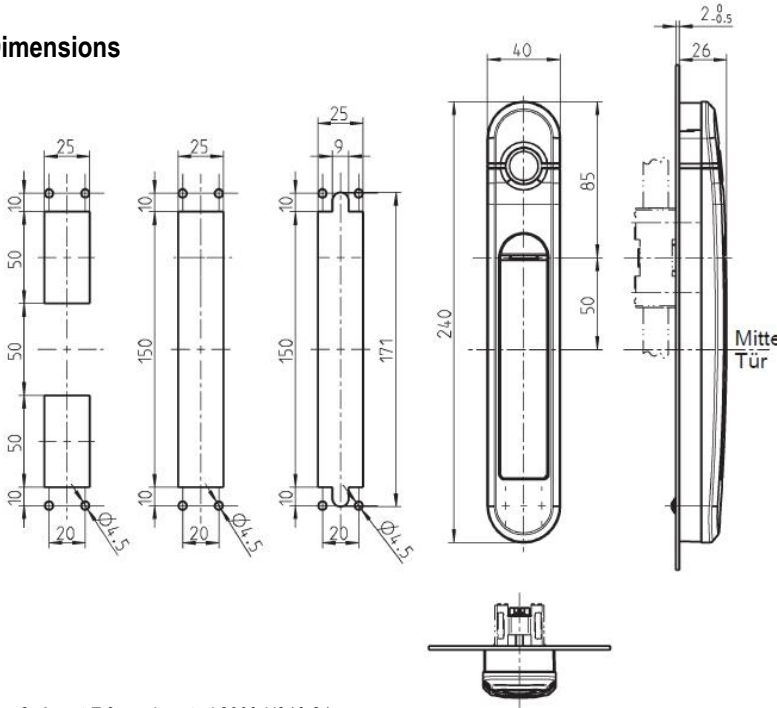


Fig. 8: Agent E for rod control 3000-U910-21

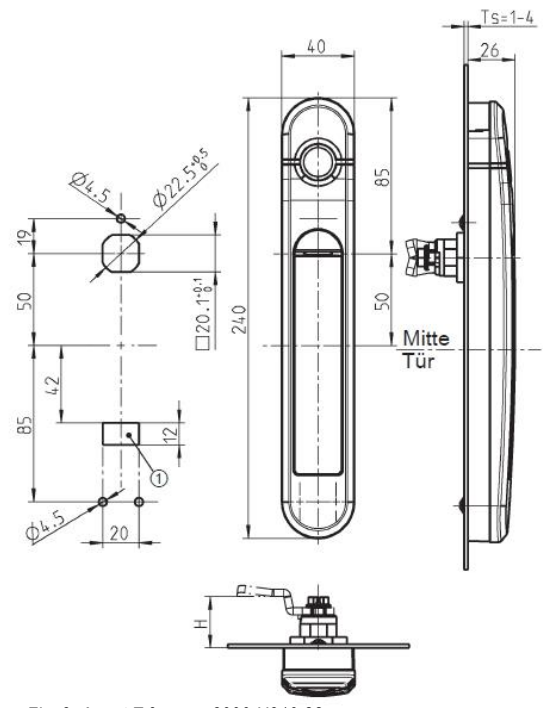


Fig. 9: Agent E for cam 3000-U910-22

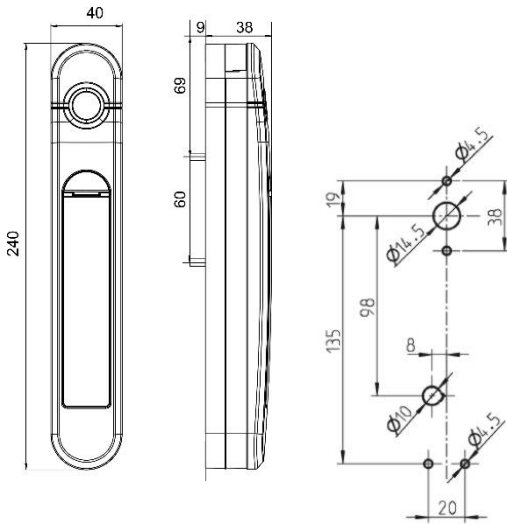


Fig. 10: Agent E for Rittal TS8 3000-U910-23

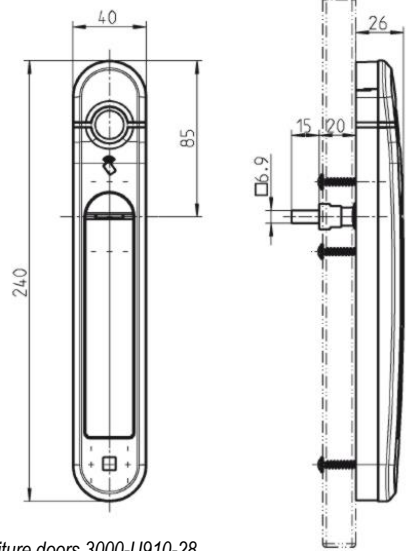


Fig. 11: Agent E for furniture doors 3000-U910-28



Fig. 12: Agent E for Schroff 3000-U910-25

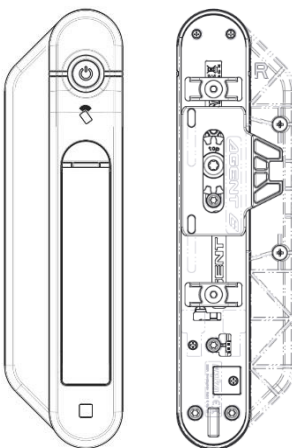


Fig. 13: Agent E for Emerson Knurr (Vertiv)
3000-U910-26 (right hand door)
3000-U910-27 (left hand door)

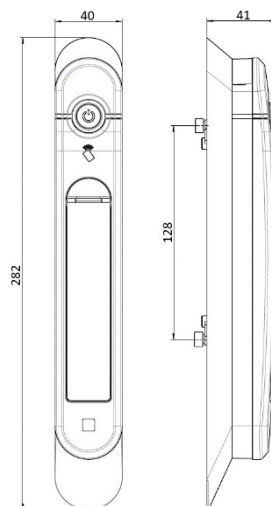


Fig. 14: Agent E Rittal VX25 3000-U910-24