

 **19"- Einschub RMS 490**

Im 19"-Einschub RMS 490 sind mehrere Module aus dem ELM Programm und anschlussfertig verdrahtet. Peripheriekomponenten wie Griffe, Sensoren, ... werden an der Rückseite aufgesteckt.

Die Vorderseite des Einschubs enthält neben seriellen RS-232 Anschluss und USB Buchse ein Feld mit LED's zur Anzeige von Netzwerk- und CAN Bus Aktivität sowie ein zweizeiliges Display mit kundenspezifischen Anzeigemöglichkeiten.

Technische Änderungen vorbehalten

 **19"- Rack RMS 490**

In the 19"- rack RMS 490 several modules Module of the ELM System are installed and wired ready for connection. External components like handles, sensors ... are plugged in at the rear side.

The front side of the rack contains a RS-232 and an USB socket, an array of LED's to indicate network and CAN bus activity and a two row LC display for customized indications.



Fig. 1 RMS 490

**Technical Data**

Power supply	85...264VAC, 47 ... 63 Hz	Comm. Protocols	SNMP 1.0 und 2.C, http
Digital outputs	8 (max. 12V, 1A)	CAN interface	3, for extension modules
Digital inputs	8 (max. 12V DC)	Internal sensor supply voltage	yes
Analog inputs	4 (max. 7,5V DC)	Operational temperature	+5...+50 °C
Relay outputs	4 (max. 48V, 1A)	Humidity	5...85% rel. Humidity, non-condensing
Analog outputs	2 (max. 10 V DC, 1 mA)	Weight	2.9 kg
Outputs supply voltage	1 (24 VAC, 3.6 VA)	Dimensions (H x W x D)	43.5 (1 HE) x 481 x 210 mm
Interface	serial RS 232C and USB interface		
Network interface	Ethernet, 100 Mbit, RJ45		

**Front Side Connectors and Display**

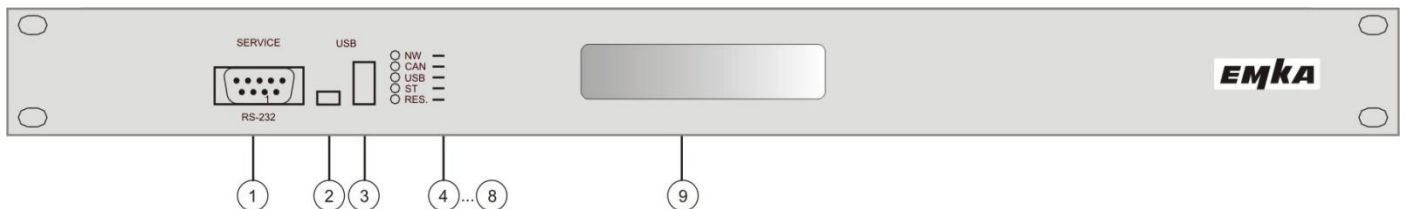
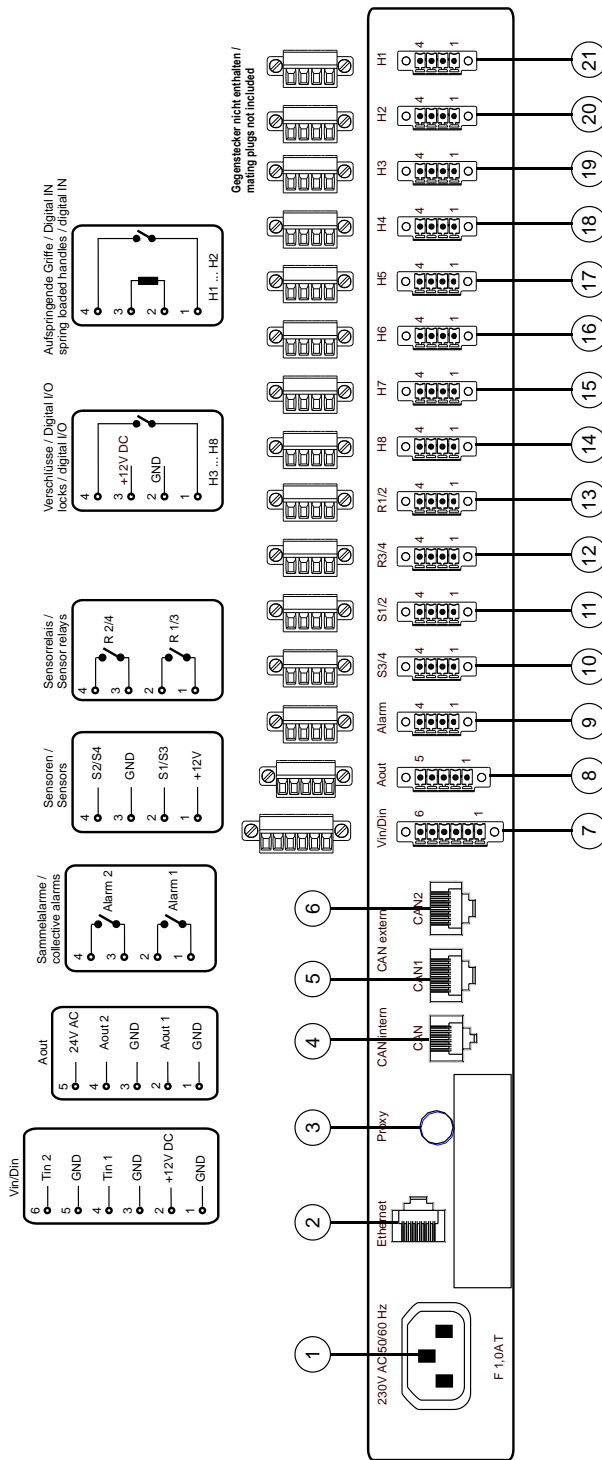


Fig. 2 RMS 490 Front side connectors

1	Serial interface RS 232 for special configuration purposes	6	Status LED USB – refer to manual
2	USB Mini interface (not used)	7	Status LED ST – refer to manual
3	USB interface for software update and configuration	8	Button RES. – After initiation the device performs a reset
4	Status LED NW – flashing when network activity	9	LC Display – 2 rows, 20 digits, alphanumeric, backlit
5	Status LED CAN – flashing when internal communication		

Rear Side Connectors



- 1 Power supply via rubber connector
- 2 Network connection
- 3 Connector for proximity antenna for door opening via transponder cards (optional)
- 4 Can bus connector for keypad with 12 V DC power supply
- 5 Can bus connector 1 for extension modules with 12 V DC power supply
- 6 Can bus connector 2 for extension modules no power supply
- 7 2 tacho sensor inputs (ventilator speed); 12V DC
- 8 2 analog outputs, 1 x 24 VAC supply voltage
- 9 2 relay outputs for collective alarms (configurable)
- 10 Sensor inputs 3 & 4
- 11 Sensor inputs 1 & 2
- 12 Sensor relays 3 & 4
- 13 Sensor relays 1 & 2
- 14 Handle or latch connector / digital I/O / door contact
- 15 Handle or latch connector / digital I/O / door contact
- 16 Handle or latch connector / digital I/O / door contact
- 17 Handle or latch connector / digital I/O / door contact
- 18 Handle or latch connector / digital I/O / door contact
- 19 Handle or latch connector / digital I/O / door contact
- 20 Handle connector for spring loaded handles / digital IN / door contact
- 21 Handle connector for spring loaded handles / digital IN / door contact

Fig. 3 RMS 490 Rear side connectors