



Access Unit

Die Unit 3000-U47-08 ist Bestandteil des ELM-Systems und dient zum Öffnen von Verschlüssen mittels kontaktloser Karten vom Typ Legic. Die dafür erforderliche Antenne sowie zwei Legic-Karten sind im Lieferumfang enthalten.

Technische Änderungen vorbehalten.



Access Unit

The 3000-U47-08 unit is part of the ELM system. It is used to open electronic locks via Legic type proximity cards. The antenna and two Legic RFID cards are included in this part number.

Subject to technical changes.



Power supply: 12 V DC, 200 mA + outputs
 LED CAN: flashing when active, otherwise ON
 LED STC: normally OFF, flashing when module status changes
 Box dimensions: 135 x 32 x 100 mm (W x H X D)

Fig. 1: 3000-U47-08 front side



Connector antenna: see Fig. 2
 Connectors "HID": not used
 Connectors "Lock": suitable for single point latches and 1150-U5x-xx locks

1 ...	Pin	Signal	Pin	Signal
...	1		5	+12VDC
...	2		6	status contact NC
...	3	GND	7	
...	4	Coil / Motor	8	

Fig. 3: "Lock" connector - pin allocation

Fig. 2: 3000-U47-08 rear side, connecting Legic antenna

1... ..5	Pin	Signal	Pin	Signal
Alarm LED connector	1		4	
	2		5	
	3			

Fig. 5: Not used

CAN bus wiring

The units are linked together by RJ45 patch cables. Connectors are located on the front side of the unit. Connect CAN-Out of a unit to CAN-In of the next unit. Open CAN-In / CAN-Out sockets must be equipped with a termination resistor for proper operation. Termination resistors are supplied with the Control Unit 3000-U141-02. One Control Unit can drive up to 32 Access Units.

Power supply

A 12 VDC, 500 mA (e.g., 3003-03-02) power supply is required for every third Access Unit. From this, power can be fed to other modules – keypads, Control or Sensor Units, Locking Units etc. by CAT 5, CAN bus patch cables. Check that the total current requirements do not exceed the rating of the power supply. When using 3rd party power supplies please note that center connector must be negative (-)!

Unit addressing

If the Access Unit is scanned by a Control Unit / communications module, it will show 2 different modules:
 1 handle module 3000-U11/33 for 2 locks and 1 proximity module 3000-U09/44. Depending on which modules shall be used, device addresses must be assigned accordingly.

Default card reader settings

D Address 1: 0 ID Address 2: 0 ID length 1: 4 ID length 2: 0
 Please refer to manual of Control Unit / communications module for details.

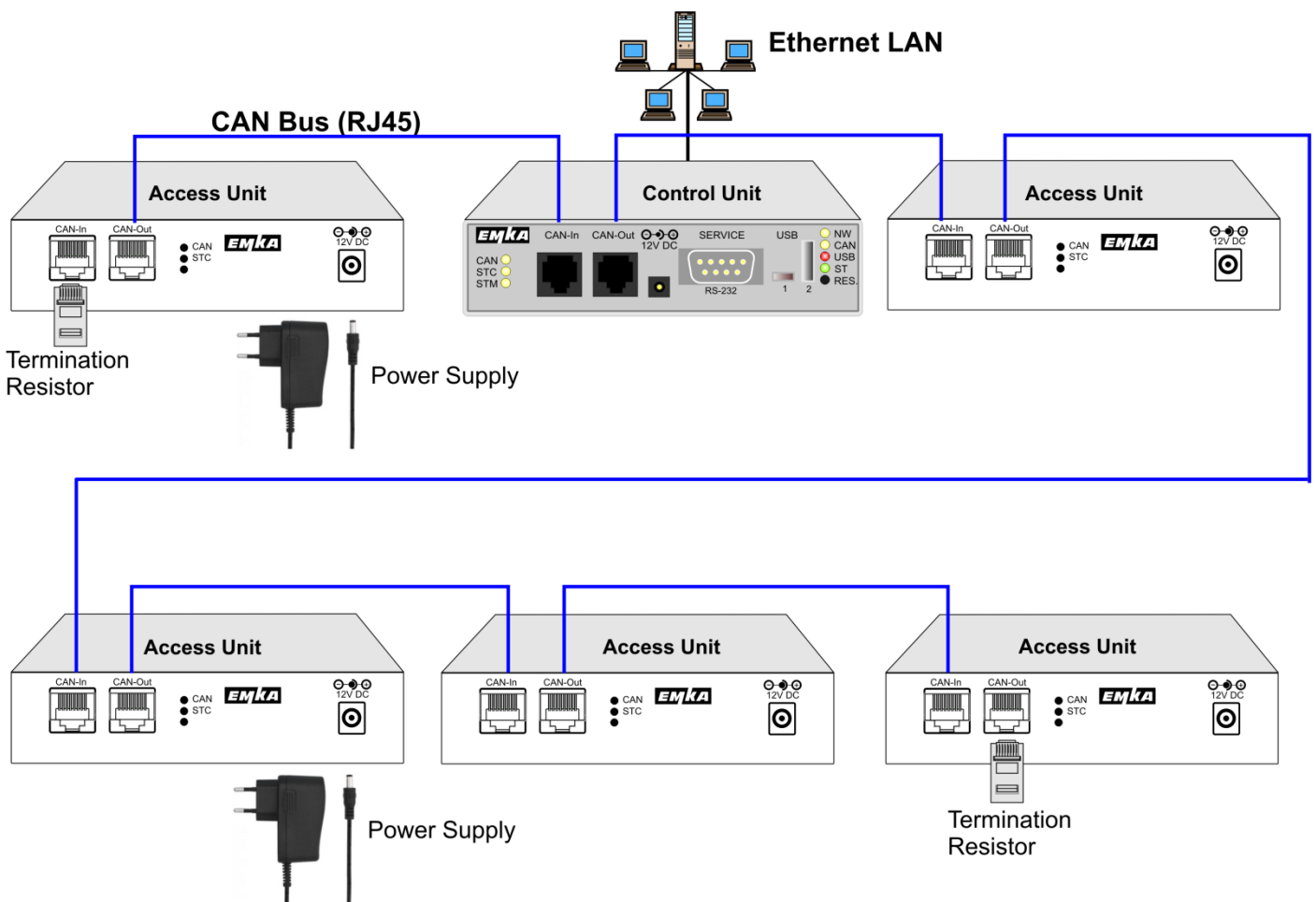


Fig. 7: Wiring example - CAN Bus wiring