



Access Unit

Die Unit 3000-U47-02 ist Bestandteil des ELM Systems. Sie dient zum Öffnen von 2 Griffen der Baureihe Agent E Wired 3000-U900-xx oder 3000-U910-xx und zum Ansteuern der im Griff eingebauten Alarm-LED (nur 3000-U900-xx). Alternativ lassen sich 2 externe Kartenleser mit Wiegand Schnittstelle, z. B. 3000-U45-05 und 2 elektromechanische Verschlüsse anschließen. Leser und Karten sind nicht im Lieferumfang enthalten.

Technische Änderungen vorbehalten.



Access Unit

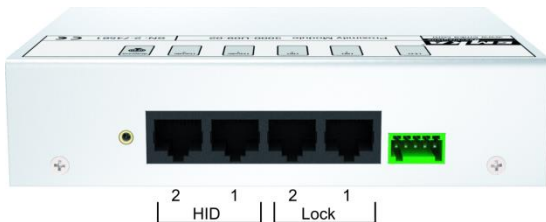
The 3000-U47-02 unit is part of the ELM system. It is used to open 2 electronic locks of type Agent E Wired 3000-U900-xx or 3000-U910-xx and to drive the built-in alarm LED of the lock (3000-U900-xx only). Alternatively, 2 external card readers with Wiegand interface, e.g. 3000-U45-05, and 2 electromechanical locks can be connected. Readers and proximity cards are not included in this part number.

Subject to technical changes.



Power supply: 12 V DC, 200 mA + outputs
 LED CAN: flashing when active, otherwise ON
 LED STC: normally OFF, flashing when module status changes
 Box dimensions: 135 x 32 x 100 mm (W x H x D)

Fig. 1: 3000-U47-02 front side



Connectors RJ45: Left 2: HID reader 2 & 1
 Right 2: AGENT E RFID or lock 2 & 1
 Alarm LED: 6-pin Phoenix connector to drive alarm LED in Agent E Wired (version 3000-U900-xx only)

Fig. 2: 3000-U47-02 rear side

Pin	Signal	Pin	Signal
1	GND	5	+12VDC
2	don't use!	6	GND
3	Data0	7	don't use!
4	Data1	8	GND

Fig. 3: HID Reader connector - pin allocation

Pin	Signal	Pin	Signal
1	LED GN*	5	+12VDC
2	Data0	6	status contact NC
3	GND	7	Data1
4	Coil / Motor	8	LED RD*

Fig. 4: Lock connector - pin allocation * Agent E Wired version 3000-U900-xx only

Pin	Signal	Pin	Signal
1	Lock 2 GN	4	Lock 1 GN
2	Lock 2 RD	5	Lock 1 RD
3	GND		

Fig. 5: Alarm LED connector (Agent E Wired version 3000-U900-xx only) - pin allocation

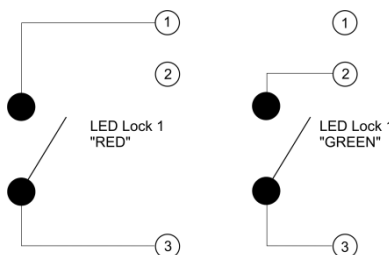


Fig. 6: Wiring examples for Alarm LED connector driving Alarm LED of Agent E Wired version 3000-U900-xx connected to "Lock 1" input

CAN bus wiring

The units are linked together by RJ45 patch cables. Connectors are located on the front side of the unit. Connect CAN-Out of a unit to CAN-In of the next unit. Open CAN-In / CAN-Out sockets must be equipped with a termination resistor for proper operation. Termination resistors are supplied with the Control Unit 3000-U141-02. One Control Unit can drive up to 32 Access Units.

Power supply

A 12 VDC, 500 mA (e.g. 3003-03-02) power supply is required for every third Access Unit. From this, power can be fed to other units – keypads, Control or Sensor Units, Locking Units etc. by CAT 5 CAN bus patch cables. Check that the total current requirement does not exceed the rating of the power supply. When using 3rd party power supplies please note that center connector must be negative (-)!

Module addressing

If the Access Unit is scanned by a Control Unit / communications module, it will show 3 different modules:
 1 handle module 3000-U11/33 for 2 locks and 2 proximity modules 3000-U09/44. Depending on which modules shall be used, device addresses must be assigned accordingly.

Default card reader settings

ID Address 1: 0 ID Address 2: 0 ID length 1: 4 ID length 2: 0
 Please refer to manual of Control Unit / communications module for details.

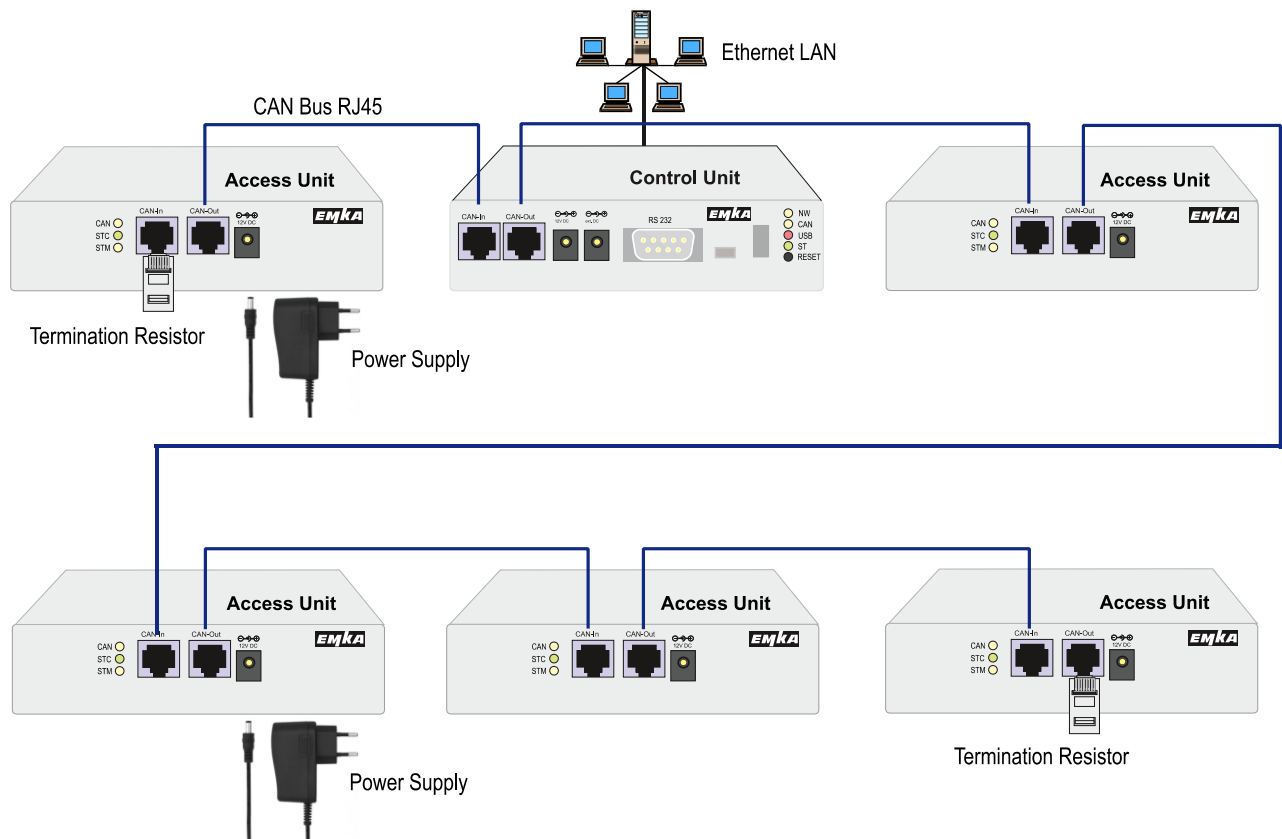


Fig. 7: Wiring example - CAN Bus wiring