

**Access Unit**

Die Unit 3000-U47-02 ist Bestandteil des ELM Systems. Es dient zum Öffnen von 2 Griffen der Baureihe AGENT E Wired 3000-U900-xx und zum Ansteuern der im Griff eingebauten Alarm-LED. Alternativ lassen sich 2 externe Kartenleser HID vom Typ 3000-U45-01 und 2 elektromechanische Verschlüsse anschließen. Leser und Karten sind nicht im Lieferumfang enthalten. Technische Änderungen vorbehalten.

**Access Unit**

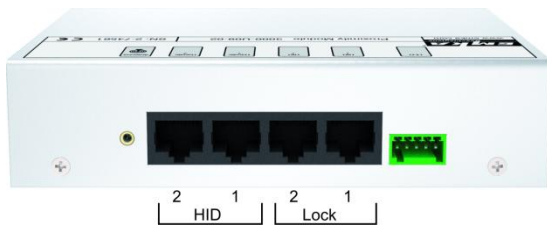
The 3000-U47-02 unit is part of the ELM system. It is used to open 2 electronic locks type AGENT E Wired 3000-U900-xx and to drive the built-in alarm LED of the lock. Alternatively 2 external card readers HID type 3000-U45-01 and 2 electromechanical locks can be connected. Reader and proximity cards are not included in this part number.

Subject to technical changes.



Power supply: 12 V DC, 200 mA + outputs  
 LED CAN: flashing when active, otherwise ON  
 LED STC: normally OFF, flashing when module status changes  
 Box dimensions: 135 x 32 x 100 mm (W x H x D)

Fig. 1: 3000-U47-02 front side



Connectors RJ45: Left 2: HID reader 2 & 1  
 Right 2: AGENT E RFID or lock 2 & 1  
 Alarm LED: 6-pin Phoenix connector to drive alarm LED (AGENT E only)

Fig. 2: 3000-U47-02 rear side

Pin	Signal		Pin	Signal	
	1	2		3	4
1	GND		5	+12VDC	
2	don't use!		6	GND	
3	Data0		7	don't use!	
4	Data1		8	GND	

Fig. 3: HID Reader connector - pin allocation

Pin	Signal		Pin	Signal	
	1	2		3	4
1	LED GN*		5	+12VDC	
2	Data0		6	status contact NC	
3	GND		7	Data1	
4	Coil / Motor		8	LED RD*	

Fig. 4: Lock connector - pin allocation; \* AGENT E only

Pin	Signal		Pin	Signal	
	1	2		3	4
1	Lock 2 GN		4	Lock 1 GN	
2	Lock 2 RD		5	Lock 1 RD	
3	GND				

Fig. 5: Alarm LED connector (AGENT E only) - pin allocation

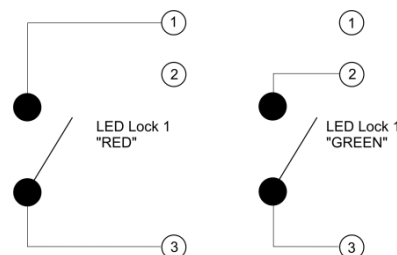


Fig. 6: Wiring examples for Alarm LED connector - driving Alarm LED of AGENT E connected to "Lock 1" input

**CAN bus wiring**

The units are linked together by RJ45 patch cables. Connectors are located on the front side of the unit. Connect CAN-Out of a unit to CAN-In of the next unit. Open CAN-In / CAN-Out sockets must be equipped with a terminating plug for proper operation. Terminating plugs are supplied with the control unit 3000-U140-02.

**Power supply**

A 12 VDC, 500 mA (e.g. 3003-03-02) power supply is required for every third Access Unit. From this, power can be fed to other units – keypads, control unit or sensor, handle or latch modules etc. by CAT 5, CAN bus patch cables. Check that the total current requirement does not exceed the rating of the power supply.

**Module addressing**

If the module is scanned by a control unit it will show 3 different modules:  
 1 handle module 3000-U11/33 for 2 locks and 2 proximity modules 3000-U09/44. Depending on which modules shall be used, device addresses have to be assigned

**Card reader settings in communications modules**

ID Address 1: 0    ID Address 2: 0    ID length 1: 4    ID length 2: 0  
 Please refer to manual of control unit 3000-U140-xx for details

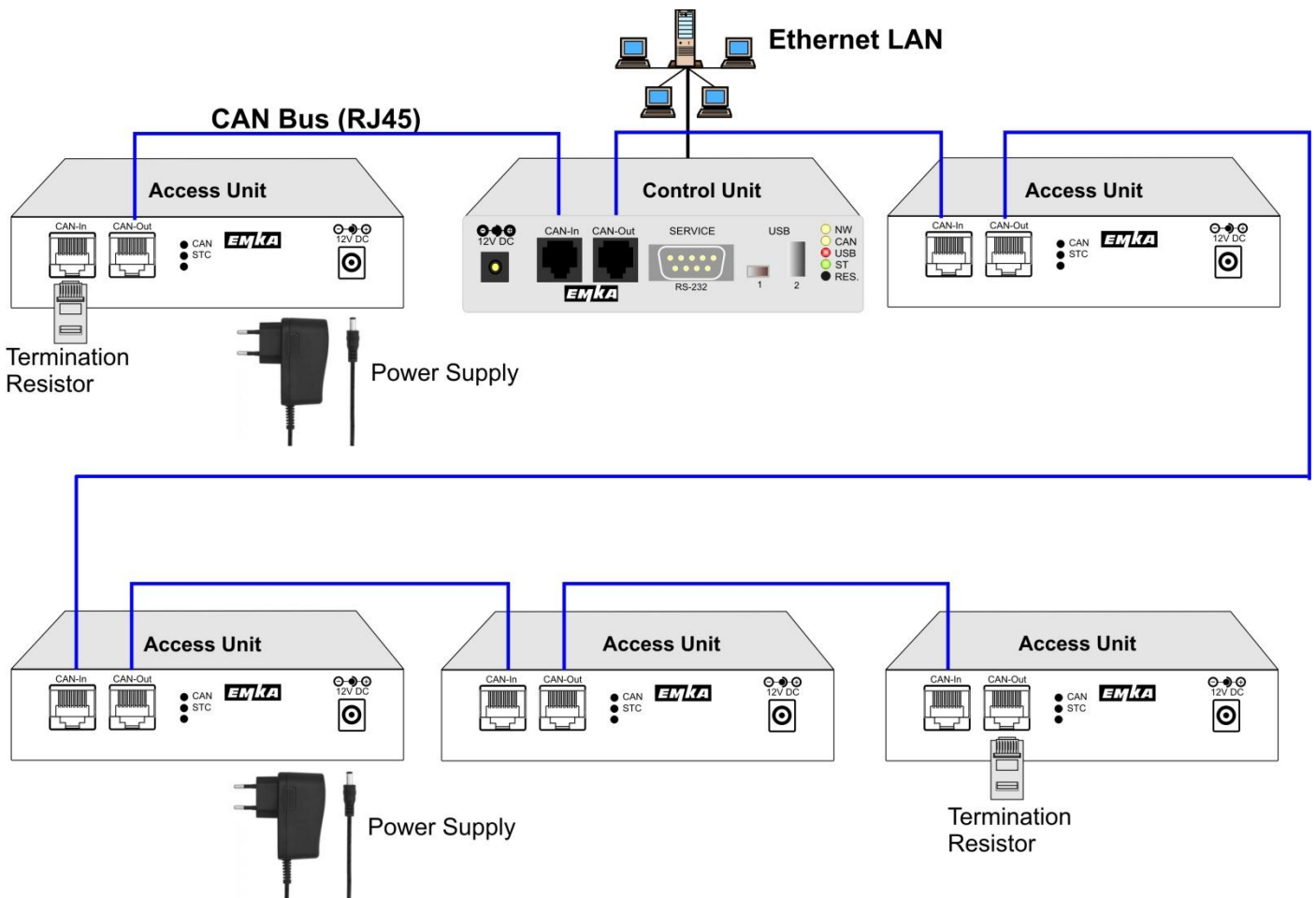


Fig. 7: Wiring example - CAN Bus wiring