



Locking Unit für 8 Griffe oder Einpunkt-Verriegelungen

Die Locking Unit 3000-U320-02 ist Bestandteil des ELM Systems. Sie bietet 8 unabhängige Ports zur Steuerung von elektro-mechanischen Griffen oder Einpunkt-Verriegelungen. Alternativ kann an jeden Port ein potenzialfreier Türkontakt zur Überwachung des Türzustandes (AUF/ZU) angeschlossen werden.

Technische Änderungen vorbehalten.



Locking Unit for 8 Handles or Latches

The Locking Unit 3000-U320-02 is part of the ELM system. It has 8 independent ports to control handles or. Door contacts can be connected to each port to monitor the door status (OPEN/CLOSED) in addition to the standard latch locked/unlocked status monitoring.

Subject to technical changes

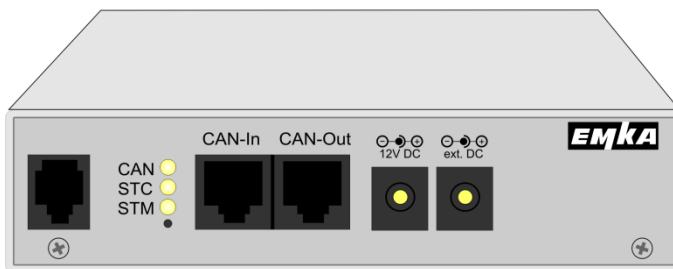


Fig. 1: 3000-U320-02 front

| | |
|-----------------|---|
| Power supply: | 12 V DC, 140 mA + latch output (s) |
| Latch output: | max. 12 V / 1000 mA or max. 24 V / 500 mA; (ref. to power supply below) |
| Total current: | 2000 mA |
| LED CAN: | flashing when active, otherwise ON |
| LED STC: | Normally OFF, flashing when module status is changed |
| Box dimensions: | 135 x 33 x 107 mm (W x H x D) |

CAN bus wiring

The units are linked together by RJ45 patch cables. Connect CAN-Out of a module to CAN-In of the next module. Open CAN-In / CAN-Out sockets must be equipped with a terminating plug for proper operation. Terminating plugs are supplied with the Control Unit (3000-U141-02).

Power supply

A 12 VDC, 2000 mA (e.g. 3003-03-02) power supply is required for each handle module. From this, power can be fed to other units – keypads, Control Units, Access Units or Sensor Units etc. by CAT 5, CAN bus patch cables. Check that the total current requirements do not exceed the rating of the power supply.

Socket 'ext. DC' may be used as additional power supply when multiple locks are operated simultaneously. 12 V or 24 V DC power supply units may be used at this socket for 12 or 24 V type locks. If no power is connected here, the '12V DC' input of the module is used as power source for the latches. Check that the total current requirements do not exceed the rating of the power supply.

Addressing

Module addressing is done via web browser of the Control Unit. Please refer to respective manual for details.

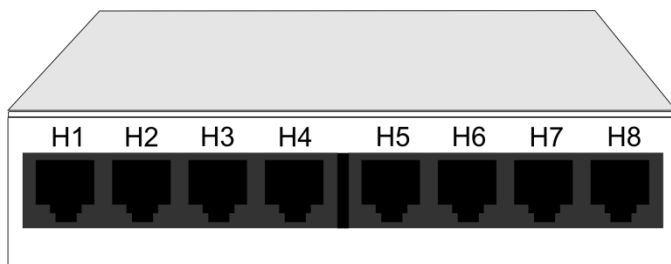


Fig. 2: 3000-U320-02 rear lock connectors (8 x RJ45)

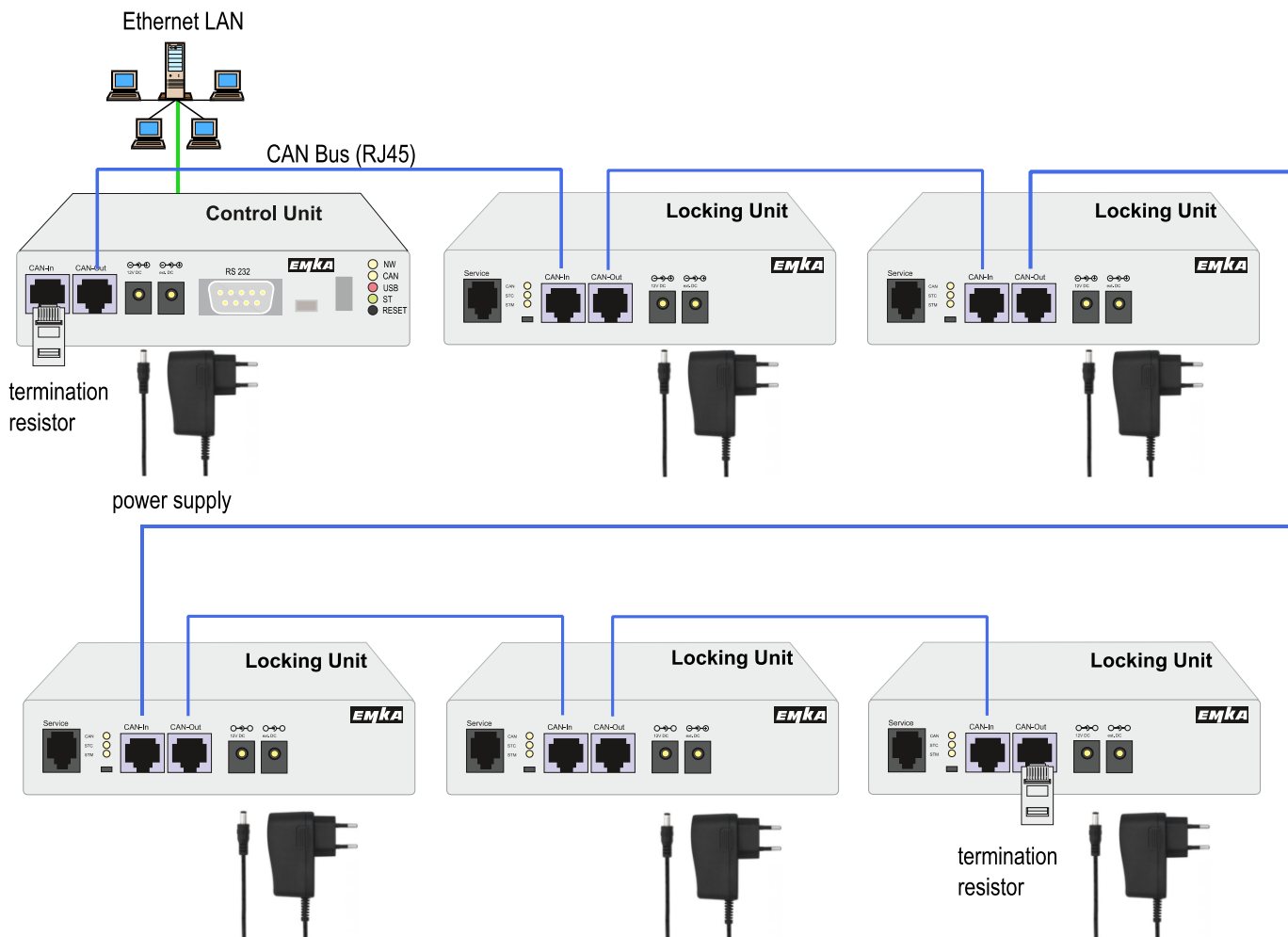


Fig. 3: Wiring example - CAN Bus wiring