



Agent E Wireless

Swinghandle

The Agent E Wireless is as yet the only swinghandle based on wireless communication. Due to its wireless and thus cost-saving mounting it is most suitable for retrofitting in data centres. The authentication is performed by RFID or fingerprint. Highly-efficient power management guarantees a long battery life.

Features

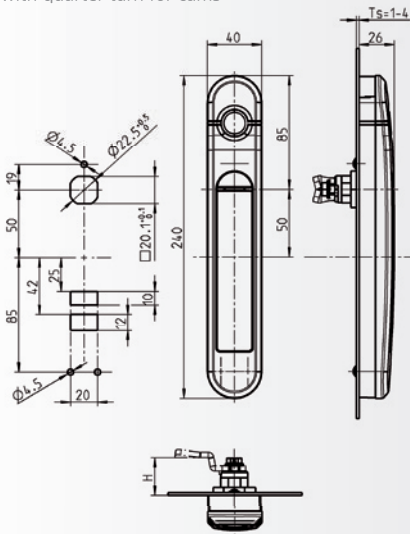
- Wireless communication via wireless network 868 MHz or 915 MHz (industry standard) depending on local regulations
- Control of up to 2,000 doors in a wireless network via access units and control unit
- Authentication via 125 kHz or 13.56 MHz transponder cards or via fingerprint. Remote-controlled opening is also possible
- All handles excel at extremely energy-efficient battery operation (service life battery min. 3 years) and have a port for an additional door contact
- Emergency power function or emergency opening via integrated USB port
- AGENT E Wireless is most suitable for retrofitting in data centres due to its wireless mounting
- Suitable for mounting in cabinets by different manufacturers



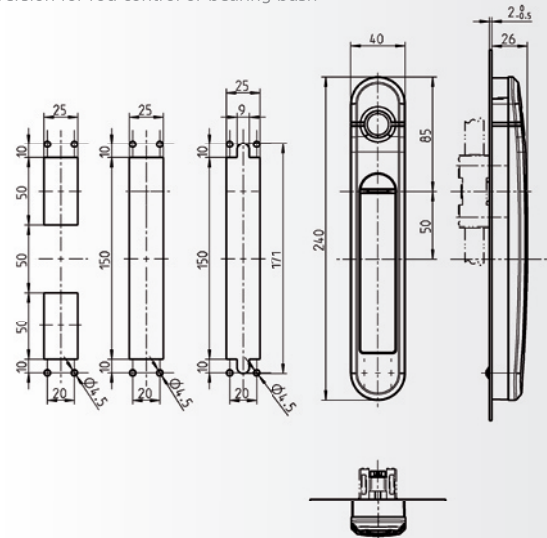
Functions

Operation mode	Authentication	Power	Opening standard	Port
wireless	RFID card (13.56 MHz or 125 kHz)	battery	immediately	door contact
	fingerprint	battery	immediately	door contact

Swinghandle Agent E Wireless
Version with quarter turn for cams



Swinghandle Agent E Wireless
Version for rod control or bearing bush



Items

Product	Item no.
(Version with quarter turn for cams)	
Wireless with RFID 125 kHz (Europe)	3000-U901-32
Wireless with RFID 13,56 MHz (Europe)	3000-U901-42
Wireless with fingerprint	on request

Items

Product	Item no.
(Version for rod control or bearing bush)	
Wireless with RFID 125 kHz (Europe)	3000-U901-31
Wireless with RFID 13,56 MHz (Europe)	3000-U901-41
Wireless with fingerprint	on request

Makes

- **Dish:** polyamide GF black
- **Handle & shaft:** zinc-die, white aluminium powder-coated
- **Wireless:** for all EU countries plus Switzerland and Norway. Version for other countries on request
- **Scope of supply:** Swinghandle, 2 batteries, instructions

Complement

Control Cockpit	3000-U68
Control Unit	3000-U140-02
Access Unit Wireless (Europe)	3000-U980-02