

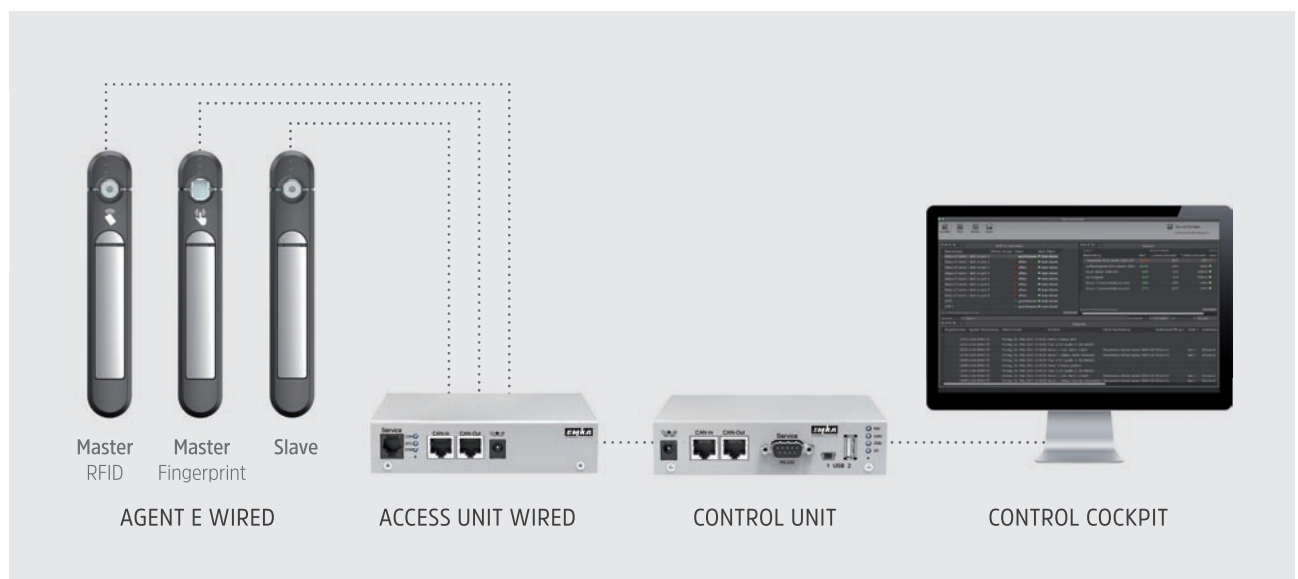


Agent E Wired Swinghandle

The Agent E Wired is the wired version of the electromechanical swinghandle range. It enables a central and complete logging of events. The personified access is realised securely and conveniently via RFID card reader and fingerprint.

Features

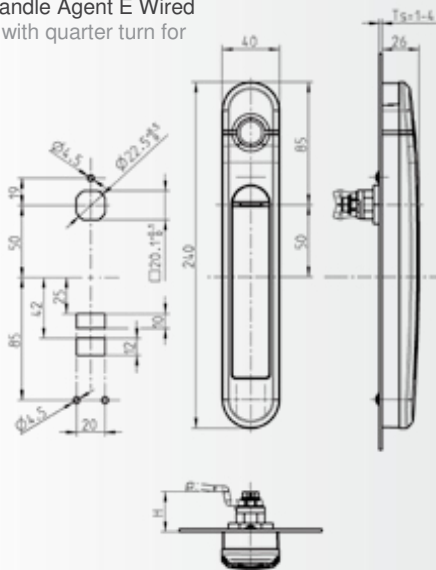
- Wired communication via CAN bus by Access Units and Control Unit
- Authentication via 125 kHz or 13.56 MHz transponder cards or via fingerprint. Remote-controlled opening is also possible
- Handle type Wired Slave does not have its own authentication and is unlocked in combination with master handle, central keypad / central card reader or by remote-controlled opening. The opening is effected by touching the sensor field
- All handles have a port for an additional door contact
- In combination with the Access Unit, the middle LED in the sensor field can be activated to indicate possible malfunctions in the rack such as increased temperature.
- Emergency opening by integrated USB port
- One Control Unit can control up to 64 handles



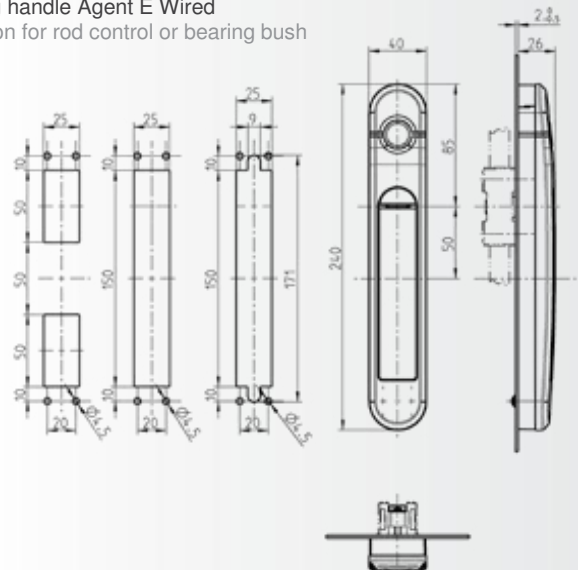
Functions

Operation mode	Authentication	Power	Opening standard	Port
wired	RFID card (13.56 MHz or 125 kHz)	via access unit	touch	door contact
	fingerprint	via access unit	directly	door contact
	slave (without own authentication)	via access unit	touch	door contact

Swing handle Agent E Wired
Version with quarter turn for cams



Swing handle Agent E Wired
Version for rod control or bearing bush



Items

Product	Item no.
(Version with quarter turn for cams)	
Wired with RFID 13.56 MHz	3000-U900-32
Wired with RFID 125 kHz	3000-U900-42
Wired with fingerprint	on request
Wired Slave	3000-U900-52

Makes

- Dish: polyamide GF black
- Handle & shaft: zinc-die; white aluminium powder-coated
- Scope of supply: 1 swing handle, connection cable

Items

Product	Item no.
(Version for rod control or bearing bush)	
Wired with RFID 13.56 MHz	3000-U900-31
Wired with RFID 125 kHz	3000-U900-41
Wired with fingerprint	on request
Wired Slave	3000-U900-51

Complement

Control Cockpit	3000-U68
Control Unit	3000-U140-02
Access Unit	3000-U47-02