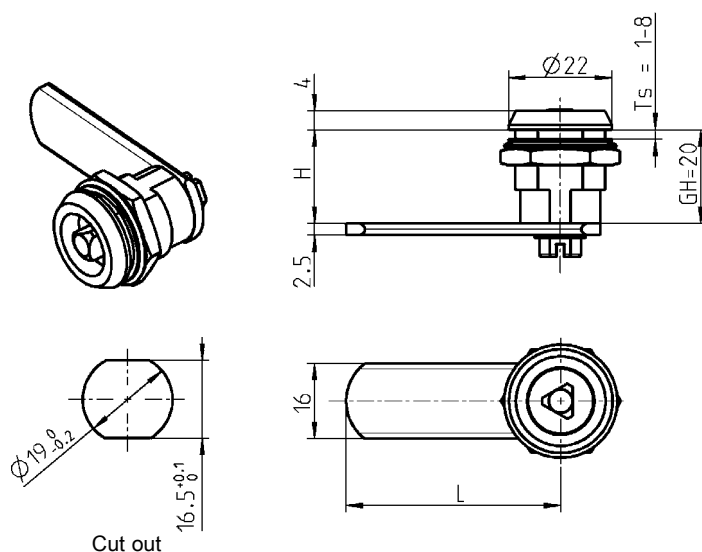


# Quarter turn with built-in options, medium version

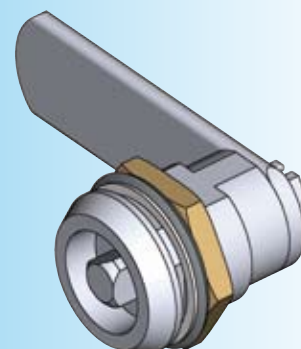
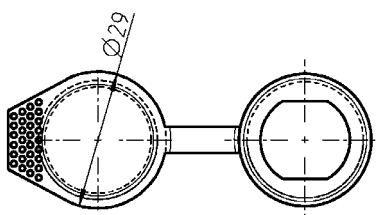
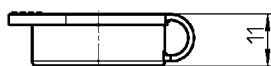
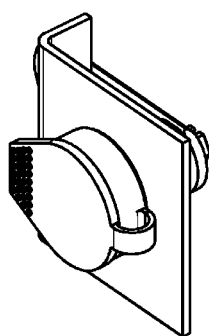
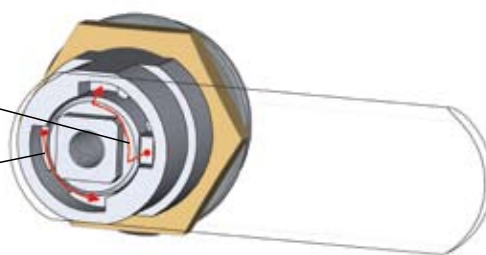
PROGRAM 1012



Cut out

2 in 1

Version A  
Version B

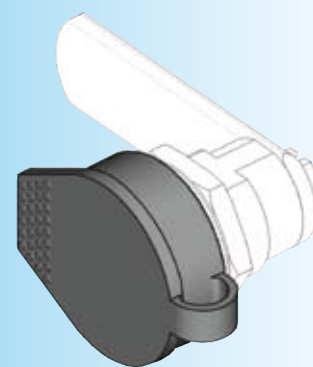


This quarter turn has two options.

**Version A:**  
Push cam back using insert and turn.  
Cam snaps into place.  
Vibration proof op.

**Version B:**  
Turn insert for standard quarter turn operation.

**Note:**  
The quarter is of a vibration-proof design. This depends on the installation location and operational conditions. Specific checks are necessary and/or supplementary measures of fastening required.



**Attention:**  
When using dust cap 1012-08, the H dimension is reduced by 2 mm

**Other inserts on request!**

Cams with other dimensions (H and L) on request.

Complete quarter turn:  
Housing with insert zinc die nickel plated,  
Nut brass, screw m.s.zinc plated  
with spring and seal

Key

Square 7	1012-U2	1004-36
Triangular 6,5	1012-U1	1004-21
Double bit 3	1012-U3	1004-34
Slot 2 x 2,5 coinproof	1012-U4	-

Cam m.s. zinc plated

H = 20 ; L = 46      1012-05

Lock washer Fst zinc plated

1012-06-JG

Dust cap polyethylene black

1012-08