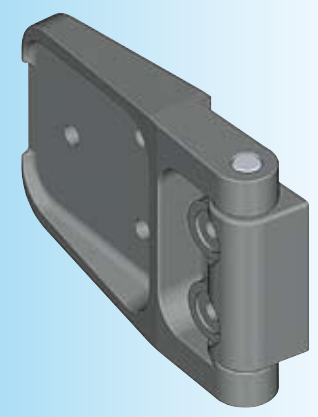
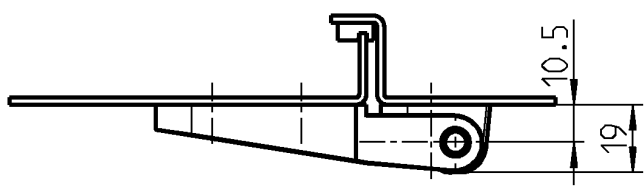
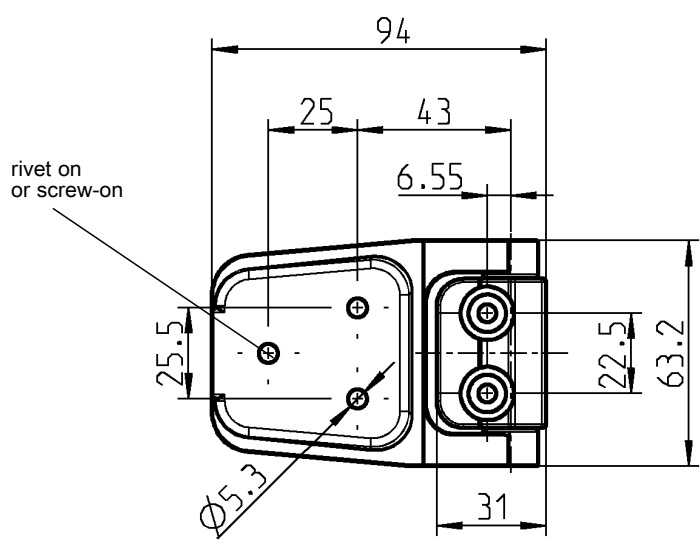
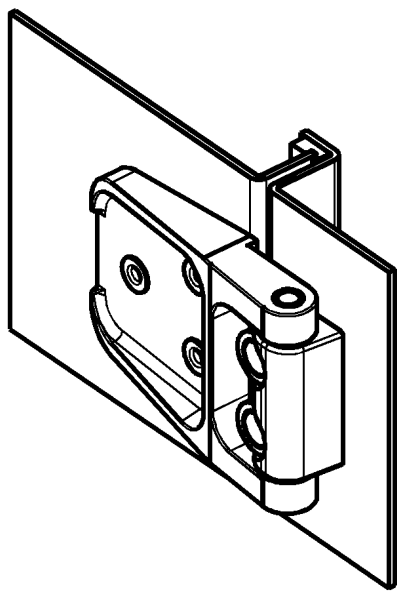


180° hinge
PROGRAM 1054, 1091



Application
for double skin
doors