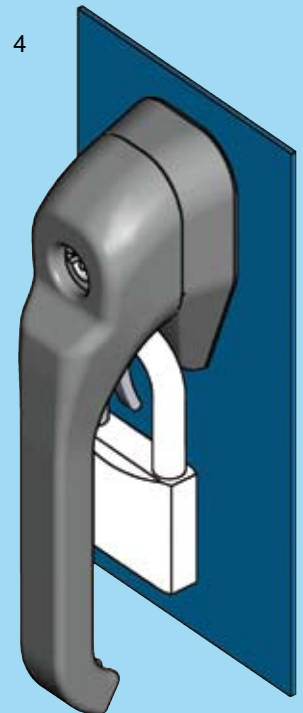
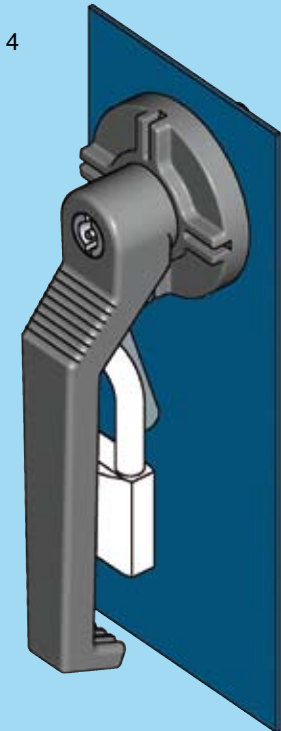
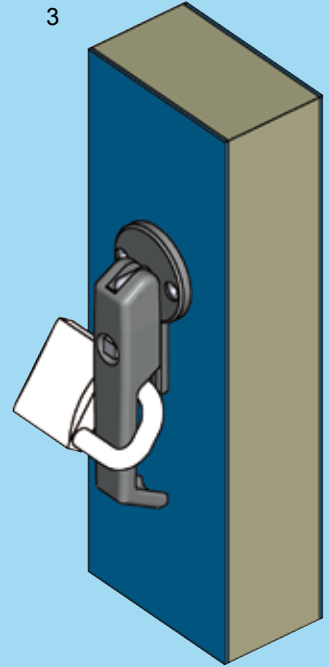
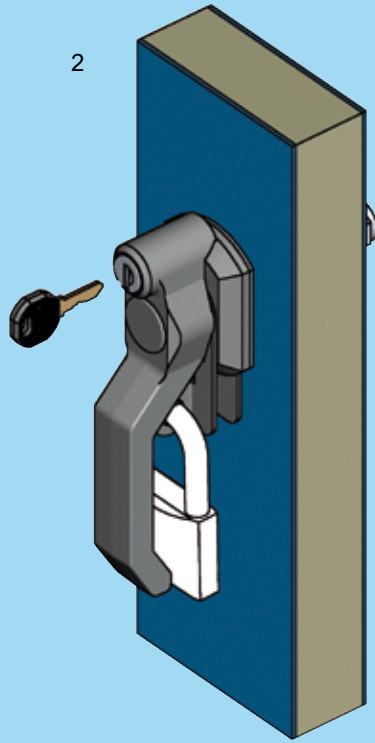
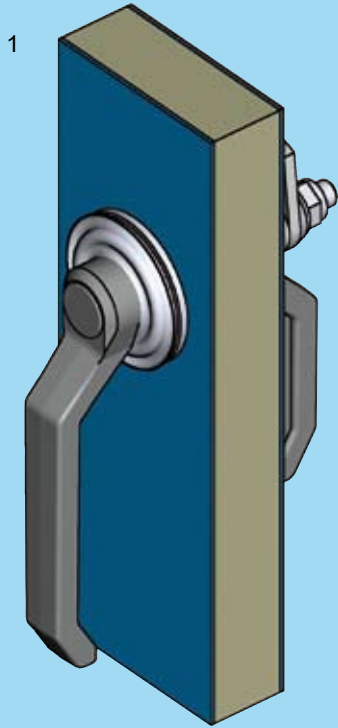
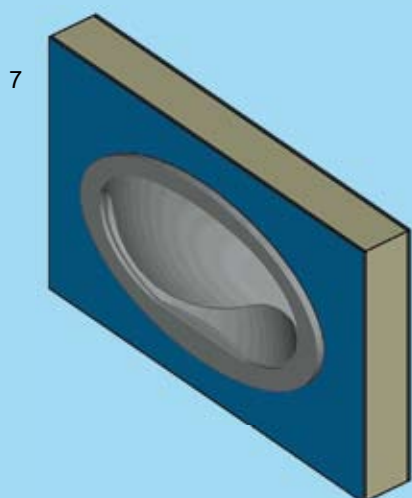
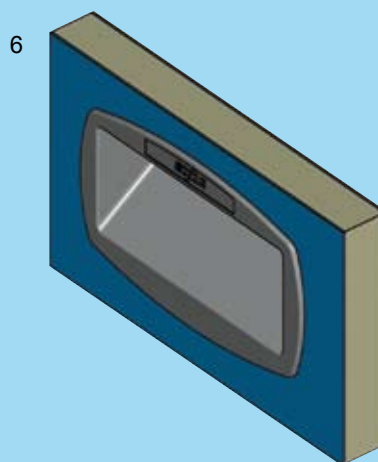
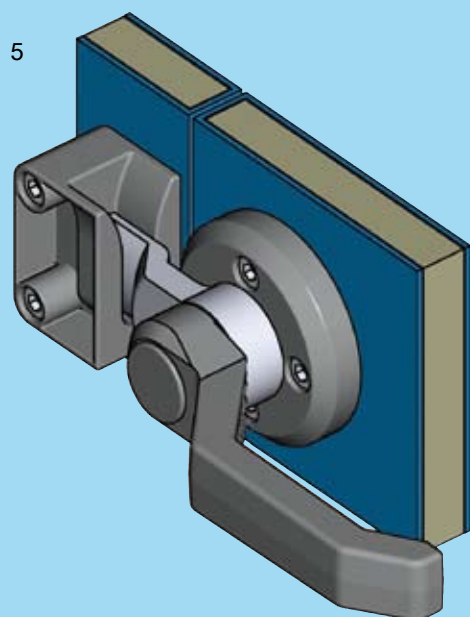


# Air-Conditioning Program 1091



Info
1 Quarter turns
2 Rod controls
3 Locking systems
4 Hinges
5 Gasketing
6 Handles
7 Aluminium windows
8 Stainless steel
9 Latches



- 1 Heavy Duty latch with mild steel shaft
- 2 Heavy Duty latch
- 3 Lift and turn latch
- 4 Heavy Duty latch
- 5 Heavy Duty latch, outside the door
- 6 Pull
- 7 Pull

- 10A-120 to 10A-180, 10A-320
- 10A-220, 10A-340
- 10A-520
- 10A-620, 10A-640
- 10A-420
- 10A-720 to 10A-760, 10A-820
- 10A-820

# 10A-100