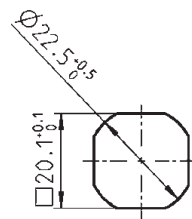
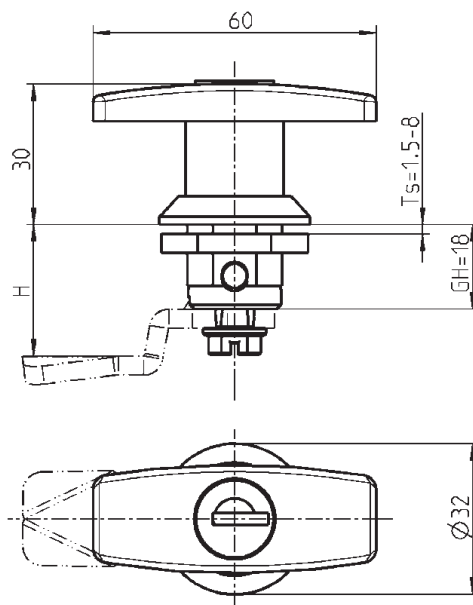
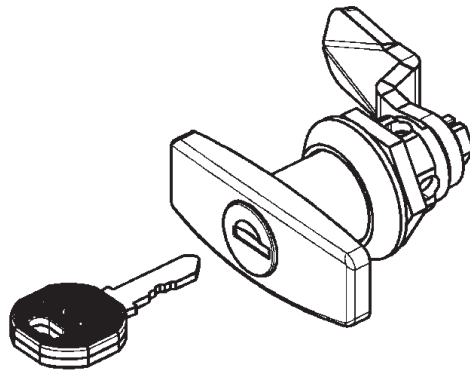
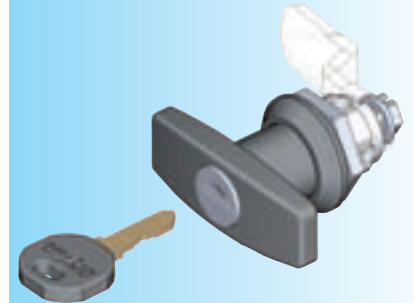


# T-Handle, compact PROGRAM 1000



Cut out

\* IP 65

Handle polyamide GF black, housing zinc die black p.c., cylinder zinc die with stainless steel cap and shutter, nut, earthnut and fixing material m.s. zinc plated.

Each cylinder has one silver steel key with polyamide grip black.  
Key removable in both positions

	Nut	Earthnut
non locking	1000-U775	1000-U775-01
* Keyed EK 333	1000-U773	1000-U773-01
* Keyed different	1000-U774	1000-U774-01

Further parts see page

- Cam 1C-120 up to 1C-220
- Accessories from 1C-340
- Escutcheon 3B-140
- Spare key 12B-140