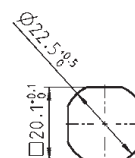
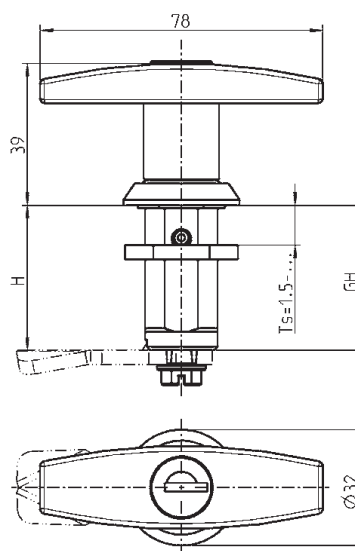
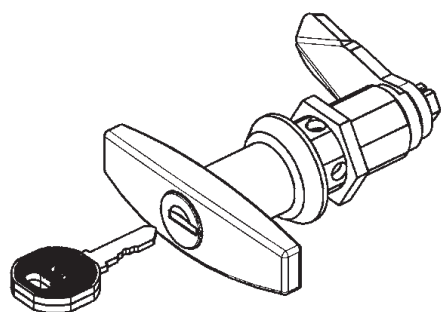


T-Handle

PROGRAM 1000



Cut out

Each cylinder has one silver steel key with polyamide GF grip black, screw and nut m.s. zinc plated. Key removable in both positions

T-Handle, suitable for KABA-cylinder type 1036 for standard locking or master key system on request.

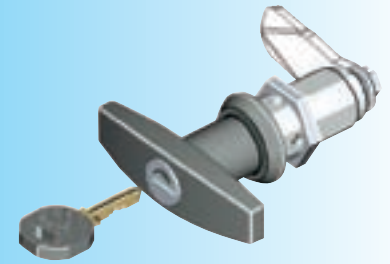
T-Handle

Handle and housing zinc die chrome plated, nut, earthnut and screw m.s. zinc plated, with seal cylinder zinc die with stainless steel cap and shutter

GH	Ts 1,5 - 8 mm	non locking	keyed EK 333	Keyed different
18 mm	8 mm			
	with nut	1000-U9	1000-U10	1000-U11
	with earthnut	1000-U60	1000-U61	1000-U62
30 mm	20 mm			
	with nut	1000-U116	1000-U118	1000-U120
	with earthnut	1000-U117	1000-U119	1000-U121
40 mm	30 mm			
	with nut	1000-U122	1000-U124	1000-U126
	with earthnut	1000-U123	1000-U125	1000-U127
50 mm	40 mm			
	with nut	1000-U128	1000-U130	1000-U132
	with earthnut	1000-U129	1000-U131	1000-U133
60 mm	50 mm			
	with nut	1000-U594	1000-U596	1000-U598
	with earthnut	1000-U595	1000-U597	1000-U599



T-Handle		Handle and housing zinc die black powder coated, earthnut and screw m.s. zinc plated, with seal Cylinder zinc die with stainless steel cap and shutter		
GH	Ts 1,5 -	non locking	keyed EK 333	keyed different
18 mm	8 mm			
	with nut	1000-U337	1000-U338	1000-U339
	with earthnut	1000-U340	1000-U341	1000-U342
30 mm	20 mm			
	with nut	1000-U372	1000-U374	1000-U376
	with earthnut	1000-U373	1000-U375	1000-U377
40 mm	30 mm			
	with nut	1000-U378	1000-U380	1000-U382
	with earthnut	1000-U379	1000-U381	1000-U383
50 mm	40 mm			
	with nut	1000-U384	1000-U386	1000-U388
	with earthnut	1000-U385	1000-U387	1000-U389
60 mm	50 mm			
	with nut	1000-U600	1000-U602	1000-U604
	with earthnut	1000-U601	1000-U603	1000-U605



T-Handle IP 65		Handle, housing, nut and screw AISI 304, with seal		
GH	Ts 1,5 -	non locking	keyed EK 333	keyed different
18 mm	8 mm			
	with nut	1000-U664		

T-Handle		Handle polyamide black Housing zinc die black, nut, earthnut and screw m.s. zinc plated, with seal Cylinder zinc die with stainless steel cap and shutter		
GH	Ts 1,5 -	non locking	keyed EK 333	keyed different
18 mm	8 mm			
	with nut	1000-U546	1000-U548	1000-U550
	with earthnut	1000-U547	1000-U549	1000-U551
30 mm	20 mm			
	with nut	1000-U552	1000-U554	1000-U556
	with earthnut	1000-U553	1000-U555	1000-U557
40 mm	30 mm			
	with nut	1000-U558	1000-U560	1000-U562
	with earthnut	1000-U559	1000-U561	1000-U563
50 mm	40 mm			
	with nut	1000-U564	1000-U566	1000-U568
	with earthnut	1000-U565	1000-U567	1000-U569
60 mm	50 mm			
	with nut	1000-U606	1000-U608	1000-U610
	with earthnut	1000-U607	1000-U609	1000-U611

Further parts see page

- Cam 1C-120
- Accessories up to 1C-220
- Escutcheon from 1C-340
- Spare key 3B-140
- 12B-140