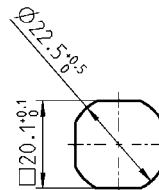
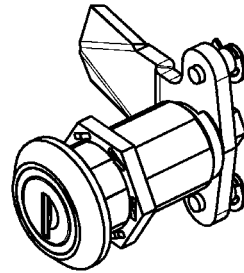


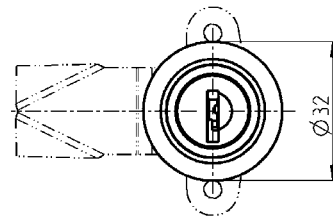
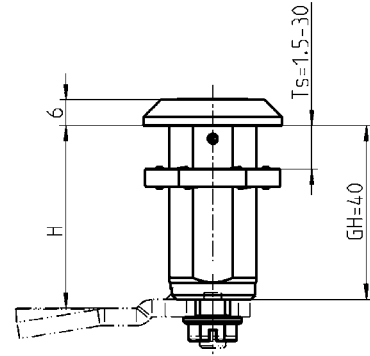
Combination of quarter turn and cylinder for 1- and 3-point latch system.

Note:
IP 65 and IP 66 only available factory pre-assembled

Further parts see page
 – Cam (GH = 40) up to 1C-120
 up to 1C-220
 – Accessories from 1C-220
 – Escutcheon 3B-140
 – Key 12B-120



Cut out



Safety quarter turn:

Removable cylinder, covered square insert, enables higher torque with square key.

Safety quarter turn housing zinc die black powder coated, cylinder with stainless steel cap and shutter, insert female square 6 mm zinc die chrome plated, earthnut and fixing material m.s. zinc plated

keyed EK 333	1048-U22
keyed different	1048-U23
Key square 6 mm male	1004-29-01

IP 65 with:

Flat seal	1000-23
O-ring	1000-24

IP 66 with:

Seal-set	1000-U769
----------	-----------