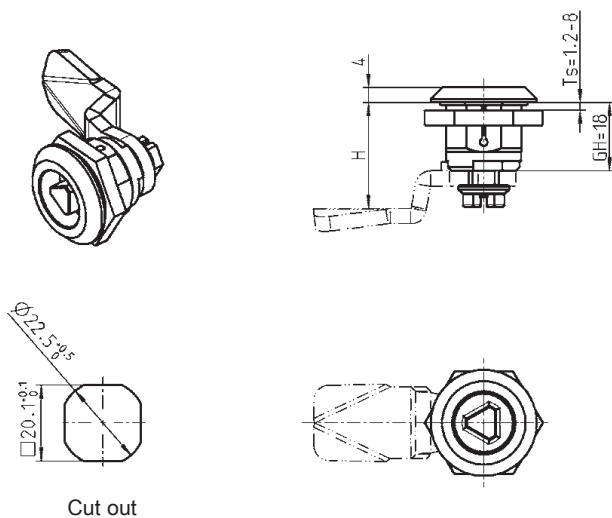
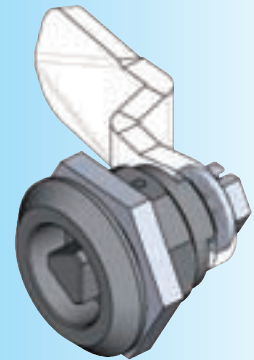
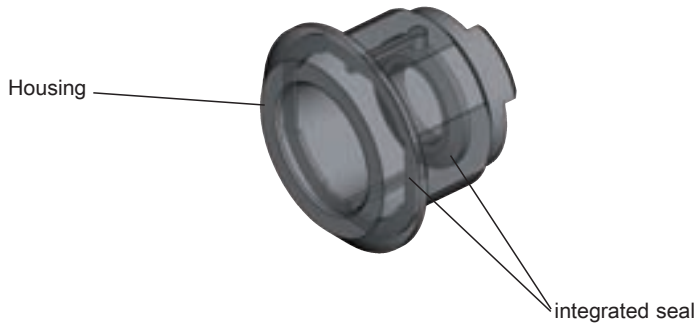


Quarter turn with integrated IP 65 seals

PROGRAM 1000

Beschlagteile



Housing polyamide 6 GF 30 black with integrated TPE seal* with nut m.s. zinc plated

Head diameter	28	32
Head height	4	6
	1000-U155-D	1000-U46-D

Insert polyamide 66 GF 50 black with screw m.s. zinc plated

Square 7	1000-U184-N2
Square 8	1000-U185-N2
Triangular 8	1000-U186-N2
Double bit 3	1000-U187-N2
Double bit 5	1000-U188-N2
Slot 2 x 4	1000-U196-N2

Assembling on request

1000-990

* The TPE seal provides protection against penetration of water, aqueous solution, alcohol, antifreeze, saline solution (15 %), sulphuric acid (98 %), hydrochloric acid and caustic soda. A very good resistance against hydrolysis is provided. In case of prolonged contact with oil and fuel then the problem of swelling or hardening could arise. Occasional lubrication will help to prevent these problems.

Attention:

In case of assembling by the customers the insert must be lubricated (Vaseline).

Further parts see page

- Cam	up to	1C-120
	from	1C-220
- Accessories		1C-220
- Escutcheon		3B-140
- Key		12B-120