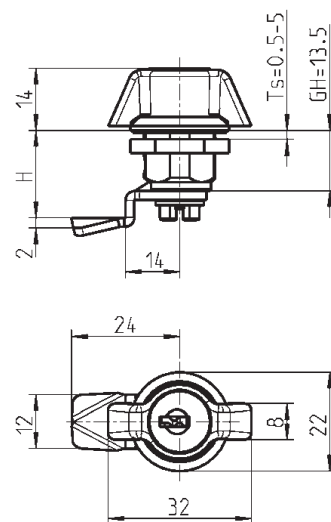
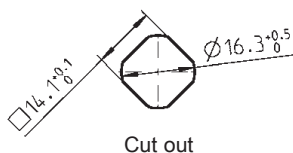
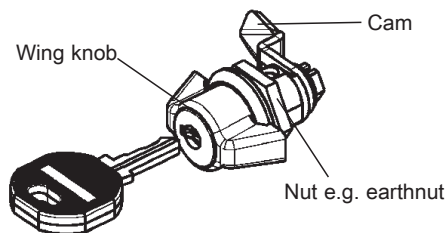
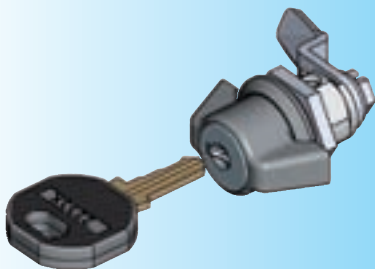


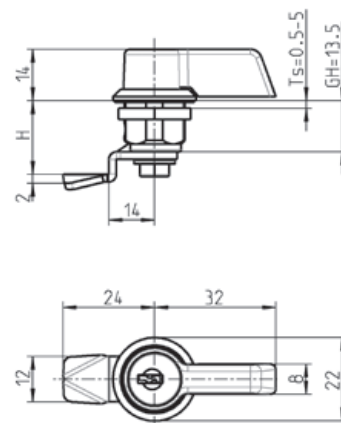
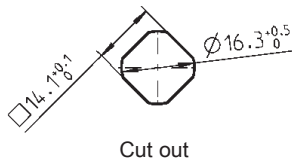
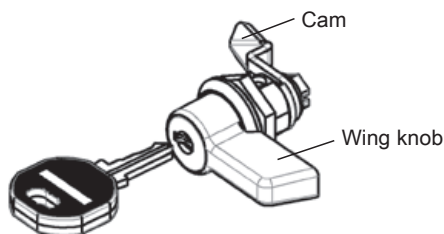
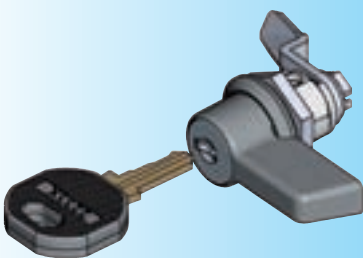
Wing knob, small version PROGRAM 1022

Beschlagteile



Wing knob with housing zinc die, round cylinder zinc die with stainless steel cap, nut or earthnut and screw m.s. zinc plated; each round cylinder has one silver steel key with polyamide grip GF black

non lock- ing*	keyed 2233X	keyed differ- ent		non lock- ing*	keyed 2233X	keyed differ- ent
chrome plated				black powder coated		
1022-U29	1022-U31	1022-U33	Nut	1022-U37	1022-U39	1022-U41
1022-U30	1022-U32	1022-U34	Earthnut	1022-U38	1022-U40	1022-U42
Cam m.s. zinc plated, t = 2						
H = 7,5	1022-20	H = 13,5	1022-07	H = 19,5	1022-08	



Wing knob with housing zinc die, round cylinder zinc die with stainless steel cap, nut or earthnut and screw m.s. zinc plated; each round cylinder has one silver steel key with polyamide grip GF black

non lock- ing*	keyed 2233X	keyed differ- ent		non lock- ing*	keyed 2233X	keyed differ- ent
chrome plated				black powder coated		
1022-U48	1022-U50	1022-U52	nut	1022-U54	1022-U56	1022-U58
1022-U49	1022-U51	1022-U53	earthnut	1022-U55	1022-U57	1022-U59
Cam m.s. zinc plated, t = 2						
H = 7,5	1022-20	H = 13,5	1022-07	H = 19,5	1022-08	

* = IP 65

Operating area:
Small doors and panels