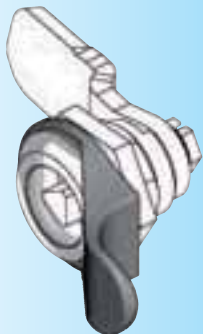


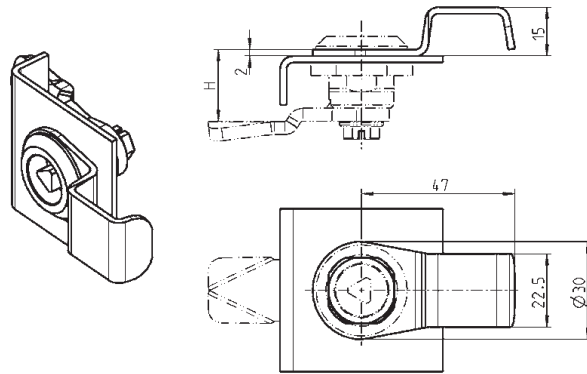


Attention:
The H-dimension will be reduced by 2 mm with this finger pull installed.



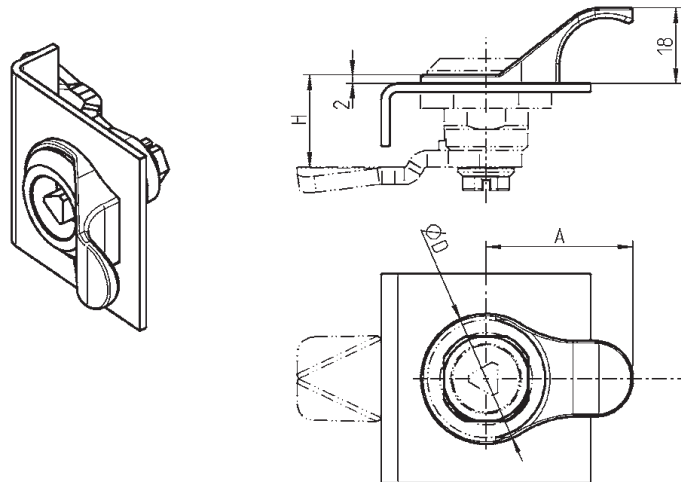
Attention:
The H-dimension will be reduced by 2 mm with this dust cap installed.

Further parts see page
– Quarter turn
up to 1B-120
up to 1B-320
up to 1B-360
up to 1B-420
1B-840
1B-860



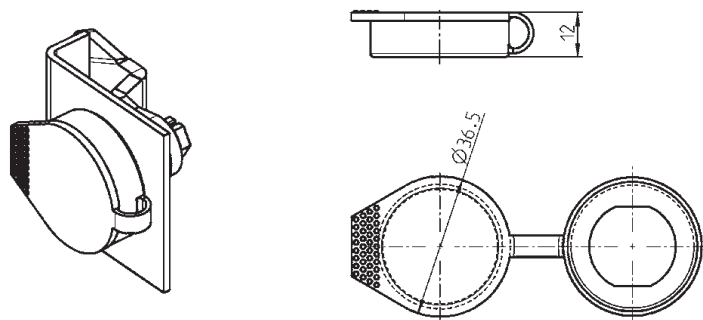
Finger pull m.s. black powder coated

	1000-359
IP 65 with:	
Flat seal	1000-23



Finger pull polyamide GF black

for housing with head diameter Ø 28	; D = 31, A = 35	1000-358
for housing with head diameter Ø 30 and 32	; D = 35, A = 36	1000-358-01
IP 65 with:		
Flat seal		1000-23



Dust cap polyethylene black

	1000-97-01
--	------------